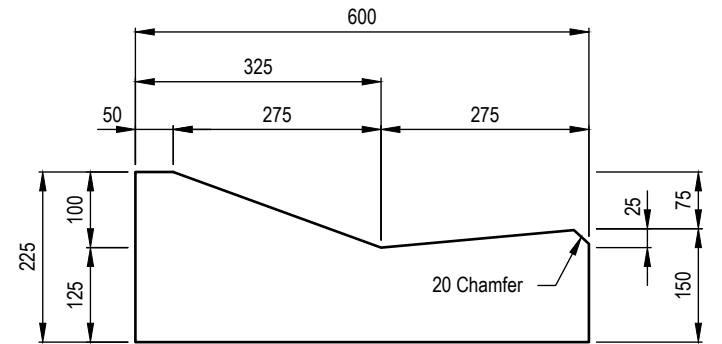
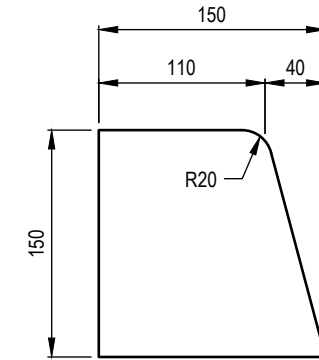


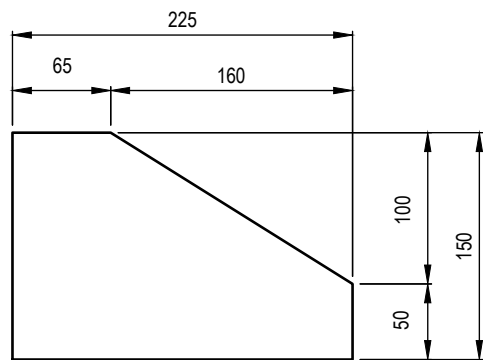
TYPE 1 - BARRIER KERB AND CHANNEL
Scale 1:10



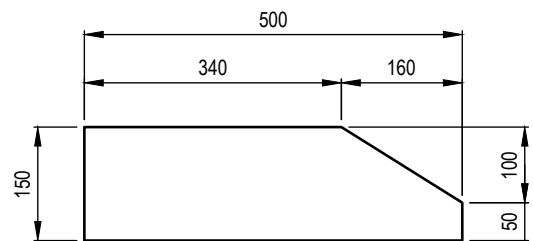
TYPE 2 - MOUNTABLE KERB AND CHANNEL
Scale 1:10



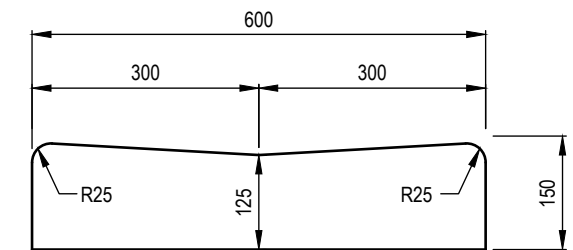
TYPE 3 - BARRIER KERB
Scale 1:5



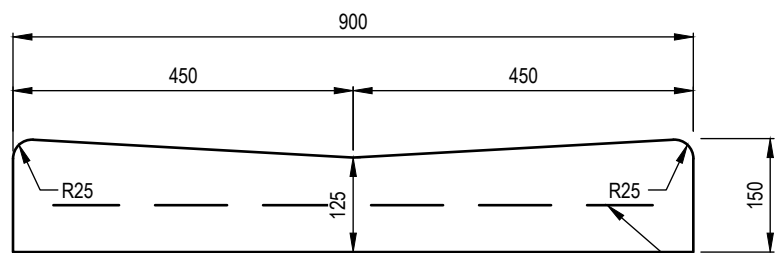
TYPE 4 - SEMI-MOUNTABLE KERB
Scale 1:5



TYPE 5 - SEMI-MOUNTABLE KERB
Scale 1:10

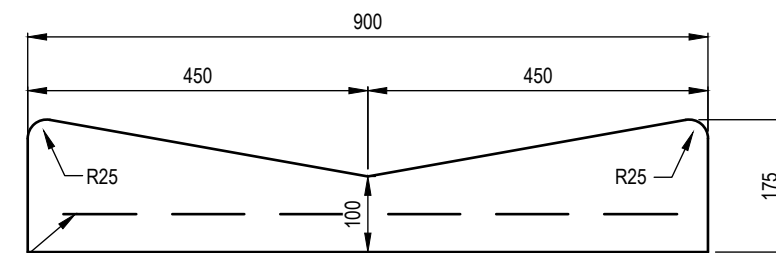


TYPE 6 - CONCRETE INVERT (600 WIDE)
Scale 1:10

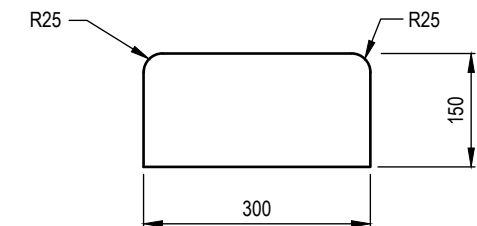


TYPE 7 - CONCRETE INVERT (900 WIDE)
Scale 1:10

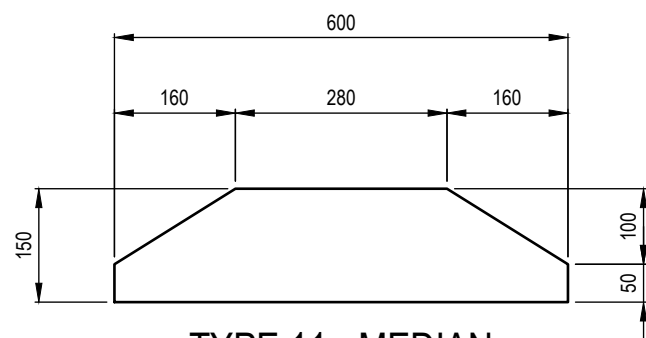
SL62 Centrally placed,
concrete strength 32 MPa



TYPE 8 - CONCRETE CHANNEL (900 WIDE)
Scale 1:10



TYPE 10 - FLUSH KERB
Scale 1:10



TYPE 11 - MEDIAN
Scale 1:10

NOTES:

1. All dimensions in millimeters.

APPLICABILITY TABLE							
Council	BSC	CHRC	GRC	IRC	LSC	MRC	RRC
Applicable	Yes	Yes	Yes	Yes	Yes	Yes	Yes

REVISIONS	DATE
H TYPE 9 REMOVED, TYPE 11 ADDED	04/2023
G BSC APPLICABILITY AMENDED	10/2022
F IRC ADDED	12/2016
E FLUSH KERB ADDED	07/2015
D GRC AND LSC ADDED	09/2014
C MRC ADDED/ROLLOVER KERB & CHANNEL AMENDED	07/2011

DISCLAIMER.
The authors and sponsoring organisations shall have no liability or responsibility to the user or any other person or entity with respect to any liability, loss or damage caused or alleged to be caused, directly or indirectly, by the adoption and use of these Standard Drawings including, but not limited to, any interruption of service, loss of business or anticipatory profits, of consequential damages resulting from the use of these Standard Drawings. Persons must not rely on these Standard Drawings as the equivalent of, or a substitute for, project-specific design and assessment by an appropriately qualified professional.

Capricorn Municipal Development Guidelines
Incorporating:
Banana Shire Council (BSC) Maranoa Regional Council (MRC)
Central Highlands Regional Council (CHRC) Rockhampton Regional Council (RRC)
Gladstone Regional Council (GRC) Isaac Regional Council (IRC)
Livingstone Shire Council (LSC)

STANDARD KERB AND CHANNEL PROFILES

ROADS	
STANDARD DRAWING	A3
CMDG-R-060	
REV.	C D E F G H