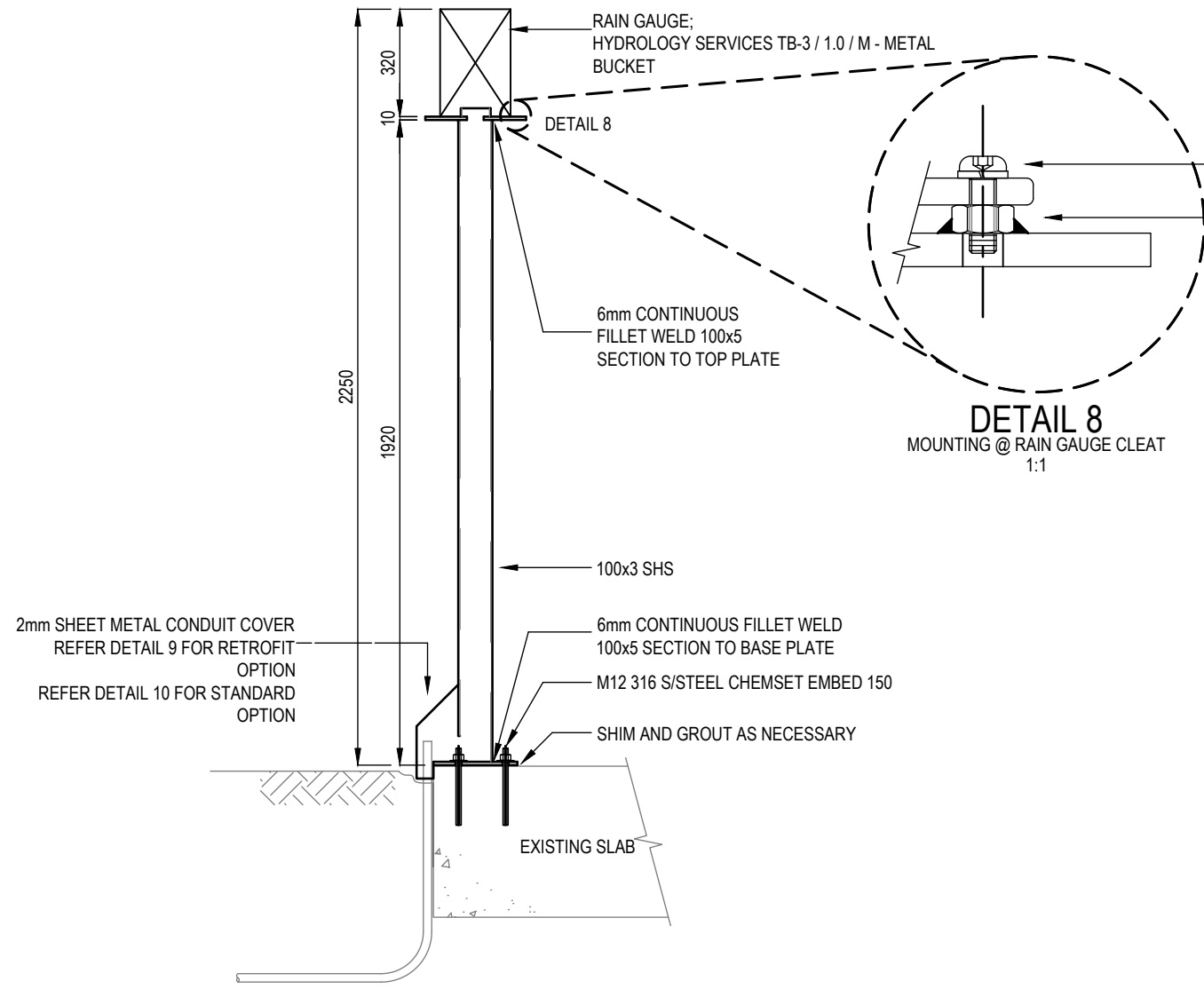
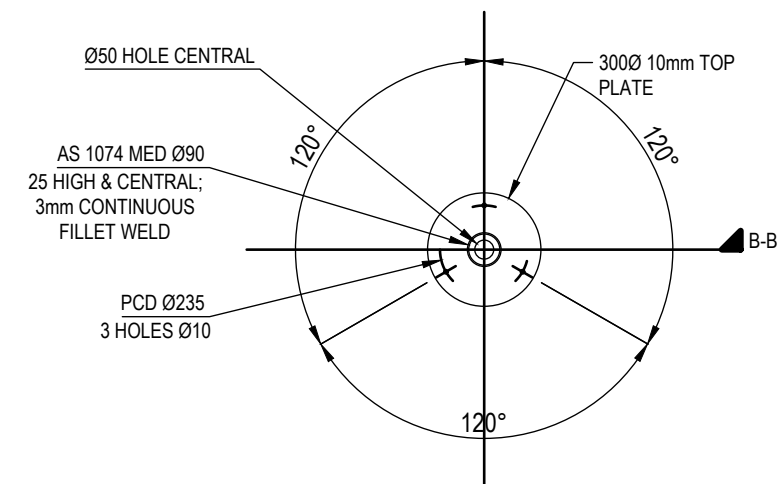


NOTES:

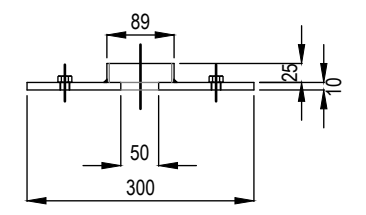
1. FIGURED DIMENSIONS TO BE TAKEN IN PREFERENCE TO SCALED DIMENSIONS.
2. VERIFY ALL DIMENSIONS ON THE JOB BEFORE COMMENCING WORK OR PREPARING SHOP DRAWINGS.
3. ALL SHOP DRAWINGS MUST BE APPROVED BY COUNCIL BEFORE COMMENCING WORK.
4. DRAWINGS TO BE READ IN CONJUNCTION WITH RELEVANT SPECIFICATIONS.
5. EXAMPLE LAYOUT ONLY; PROJECT SPECIFIC LAYOUT TO BE SUBMITTED FOR APPROVAL PRIOR TO COMMENCEMENT.
6. ALL PRE-FABRICATED STRUCTURAL MEMBERS, SHEET, NUTS & BOLTS ETC. TO BE 316 S/STEEL & POWDER COATED PALE EUCALYPT - DULUX 84221.



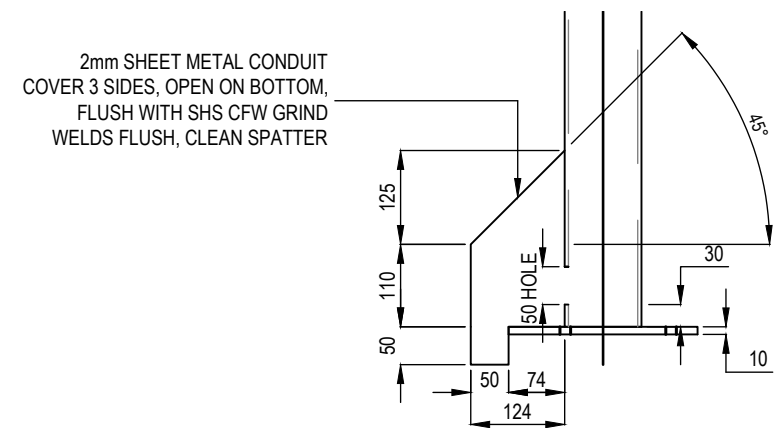
FRONT ELEVATION
GENERAL ARRANGEMENT - RAIN GAUGE DETAILED AS RETROFIT OPTION
1:20
MATERIAL: 316 S/STEEL
FINISH: POWDER COATED MIST GREEN DULUX 84221



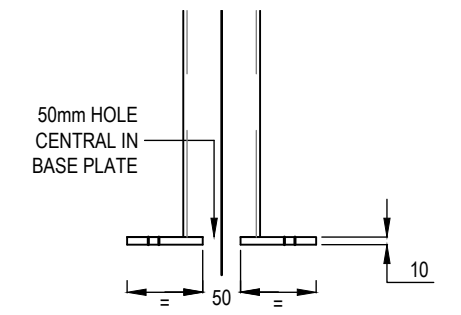
PLAN ON TOP PLATE
1:20
MATERIAL: 316 S/STEEL
FINISH: POWDER COATED MIST GREEN DULUX 84221



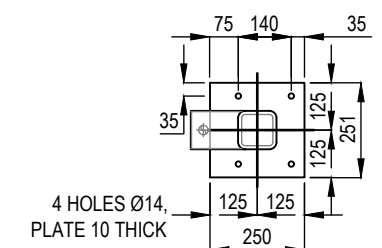
SECTION B-B
1:10
MATERIAL: 316 S/STEEL
FINISH: POWDER COATED MIST GREEN DULUX 84221



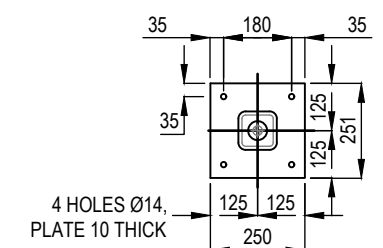
DETAIL 9 - RETROFIT OPTION
SHEET METAL CONDUIT COVER
1:10
MATERIAL: 316 S/STEEL
FINISH: POWDER COATED MIST GREEN DULUX 84221



DETAIL 10 - STANDARD OPTION
SHEET METAL CONDUIT COVER
1:10
MATERIAL: 316 S/STEEL
FINISH: POWDER COATED MIST GREEN DULUX 84221



PLAN ON BASE PLATE - RETROFIT OPTION
1:20
MATERIAL: 316 S/STEEL
FINISH: POWDER COATED MIST GREEN DULUX 84221



PLAN ON BASE PLATE - STANDARD OPTION
1:20
MATERIAL: 316 S/STEEL
FINISH: POWDER COATED MIST GREEN DULUX 84221

APPLICABILITY TABLE							
Council	BSC	CHRC	GRC	IRC	LSC	MRC	RRC
Applicable	No	No	Yes	No	No	No	No
Applicable DWG							

REVISIONS	DATE
F PREVIOUSLY DRAWING S-050L REVISION B	09/2022
E REINFORCED DETAILS AMENDED	12/2017
D IRC ADDED	11/2016
C GRC AND LSC ADDED	09/2014
B RRC AMENDMENTS	05/2011
A ORIGINAL ISSUE	01/2010

DISCLAIMER.
The authors and sponsoring organisations shall have no liability or responsibility to the user or any other person or entity with respect to any liability, loss or damage caused or alleged to be caused, directly or indirectly, by the adoption and use of these Standard Drawings including, but not limited to, any interruption of service, loss of business or anticipatory profits, of consequential damages resulting from the use of these Standard Drawings. Persons must not rely on these Standard Drawings as the equivalent of, or a substitute for, project-specific design and assessment by an appropriately qualified professional.

Capricorn Municipal Development Guidelines
Incorporating:
Banana Shire Council (BSC) Maranoa Regional Council (MRC)
Central Highlands Regional Council (CHRC) Rockhampton Regional Council (RRC)
Gladstone Regional Council (GRC) Isaac Regional Council (IRC)
Livingstone Shire Council (LSC)

**SEWERAGE PUMP STATIONS
RAIN GAUGE POST**

SEWER	
STANDARD DRAWING	A3
CMDG-S-052	
REV.	A B C D E F