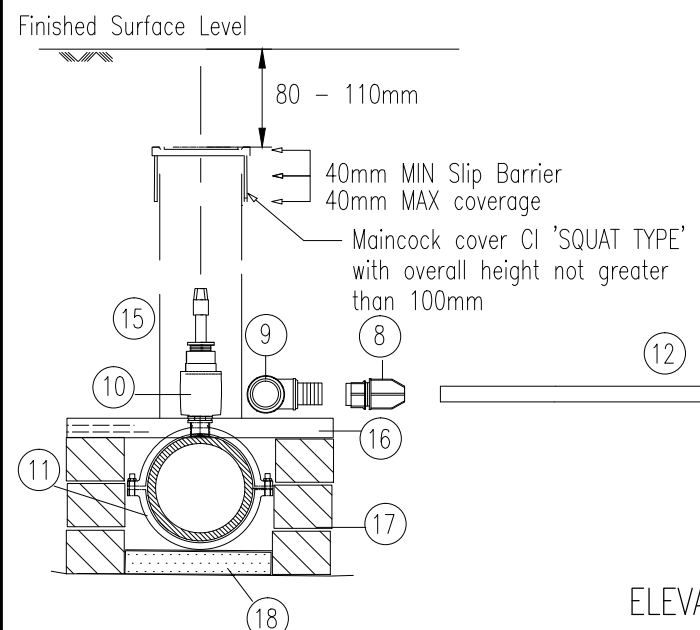
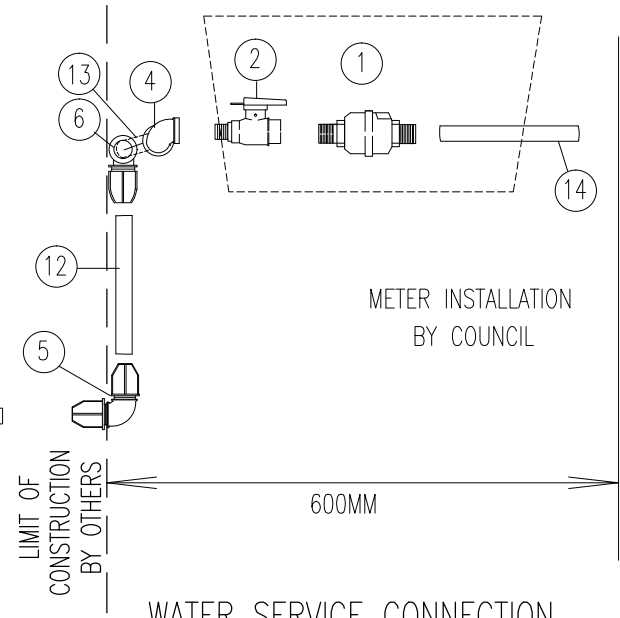


PLAN



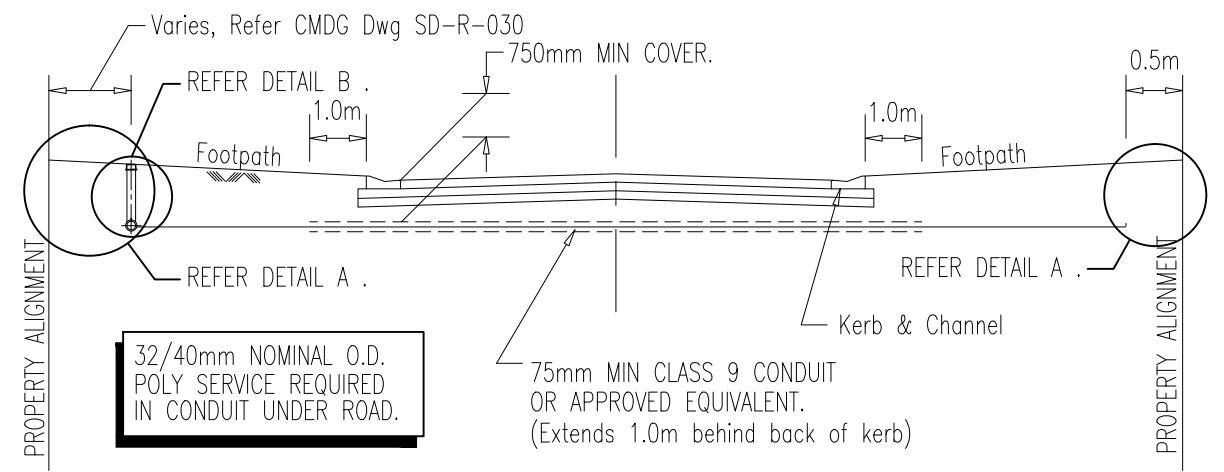
ELEVATION



WATER SERVICE CONNECTION
DETAIL: A

PROPERTY ALIGNMENT

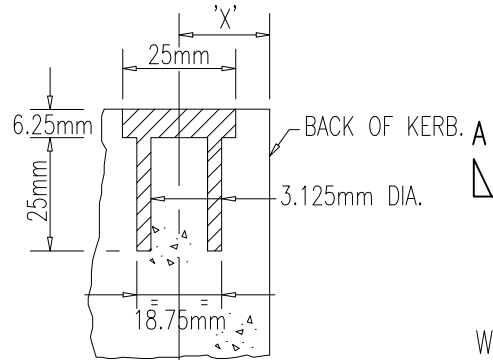
PROPERTY ALIGNMENT



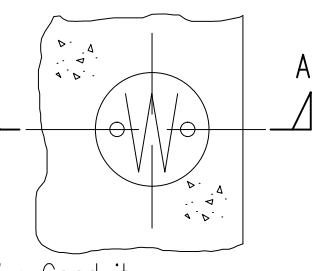
ROAD CONDUIT CROSSING

NOTES:

1. Dimension 'X' shall be 75mm for BARRIER KERB and 25mm for MOUNTABLE KERB.
2. This Drawing shall be read in conjunction with the relevant specification for Service Conduits.
3. A BRASS or STAINLESS STEEL Service Conduit Marker is to be installed for all Conduits. Refer Detail.
4. Markers for Valves to be installed in kerb and channel at 90° to Valve location.



SECTION A-A



PLAN

BRASS or STAINLESS STEEL SERVICE CONDUIT MARKER and VALVE MARKER DISC

MINIMUM COVER IN PUBLIC AREAS

Location	Minimum Cover Measured below ground surface level in mm
Unpaved	450
Paved or Road Surface	450
Solid Rock	300

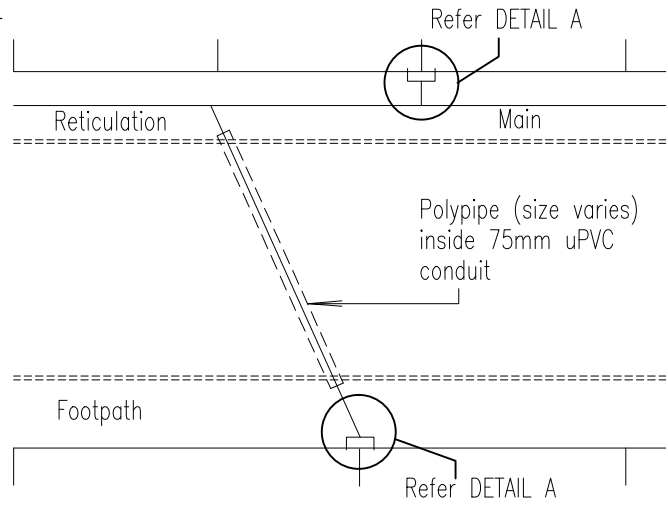
Table 5.3 as given in A.S.3500.1.2 of 1998

WATER MAIN CONNECTION
DETAIL: B

MARK NO	DESCRIPTION	MARK NO	DESCRIPTION
1	Approved 20mm Water Meter	10	25/32mm TPFNR with Spindle Top
2	20mm Ball Cock	11	Approved Tapping Band - Tapped 25/32mm OD Poly.
		12	32/40mm OD Poly
		13	25mm OD Poly
4	20mm F.I. x 25 OD Poly Connector Elbow	14	20mm x 150 threaded OD Poly
5	32/40mm OD x 90 Poly Bend	15	100mm o UPVC Sewer Class SEH Riser
6	25P x 25P x 32/40P OD Poly Tee (or equivalent)	16	30 x 75 x 350 HWD Support
8	25/32mm F.I. x 40 mm OD Poly Connector	17	3 Brick Support
9	M.I Ferrule Bend	18	50mm MIN Sand Bedding

NOTES :

1. No galvanized fittings to be used.
2. Check applicability box for service requirements for different councils



TYPICAL WATER MAIN CONNECTIONS

N.T.S

APPLICABILITY TABLE							
Council	BSC	CHRC	GRC	IRC	LSC	MRC	RRC
Applicable	No	No	Yes	No	No	No	No
Short Single			25mm TPFNR 32 OD Poly				
Short dual, long single & long dual			32mm TPFNR 40 OD Poly				
Service box Installation			Yes				
Applicable DWG	CMDG-W-090						

REVISIONS	DATE
F IRC ADDED	11/2016
E POLY PIPE DIAMETER CHANGES	03/2015
D GRC AND LSC ADDED, DOUBLE SERVICE SIZE	01/2015
40mm. AMENDED TPFNR REFERENCE	
C APPLICABILITY CHANGES	01/2013
B RRC AMENDMENTS	05/2011
A ORIGINAL ISSUE	01/2010

DISCLAIMER.
The authors and sponsoring organisations shall have no liability or responsibility to the user or any other person or entity with respect to any liability, loss or damage caused or alleged to be caused, directly or indirectly, by the adoption and use of these Standard Drawings including, but not limited to, any interruption of service, loss of business or anticipatory profits, of consequential damages resulting from the use of these Standard Drawings. Persons must not rely on these Standard Drawings as the equivalent of, or a substitute for, project-specific design and assessment by an appropriately qualified professional.

Capricorn Municipal Development Guidelines
Incorporating:
Banana Shire Council (BSC) Livingstone Shire Council (LSC)
Central Highlands Regional Council (CHRC) Maranoa Regional Council (MRC)
Gladstone Regional Council (GRC) Rockhampton Regional Council (RRC)
Isaac Regional Council (IRC)

20 & 25mm SERVICE AND WATER METER CONNECTIONS

ROADS
STANDARD DRAWING
CMDG-W-090A
REV. A B C D E F