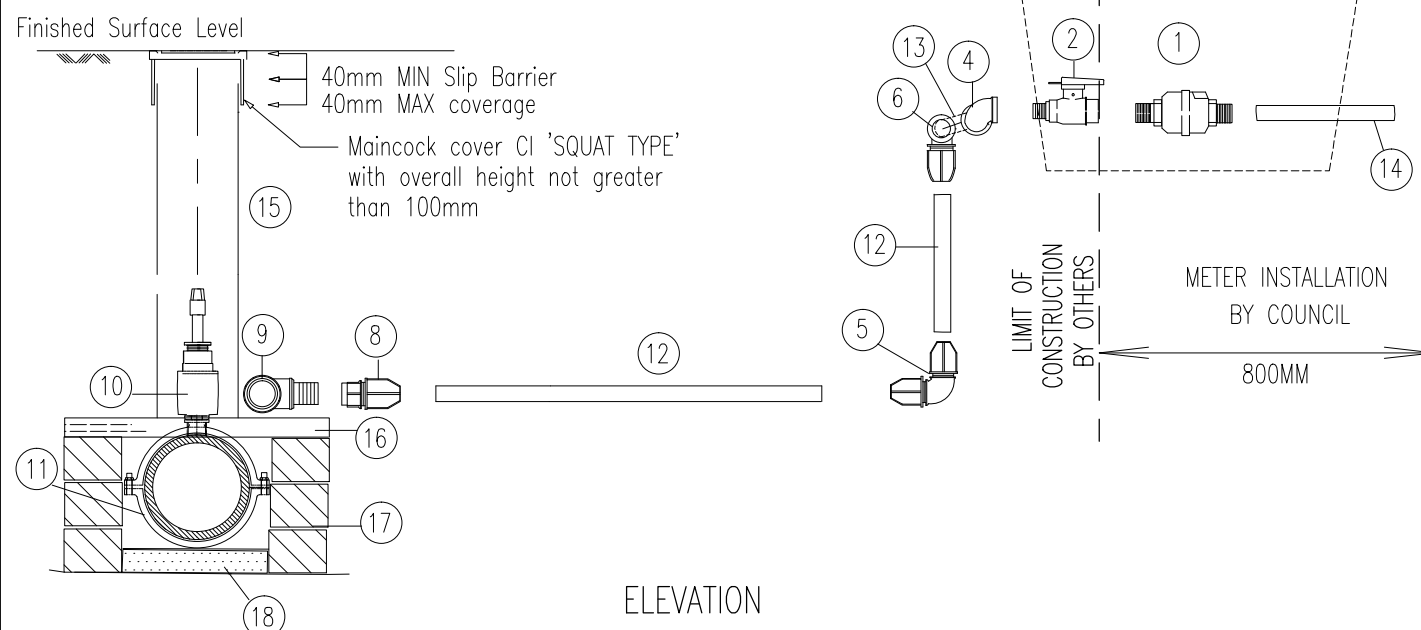


PLAN



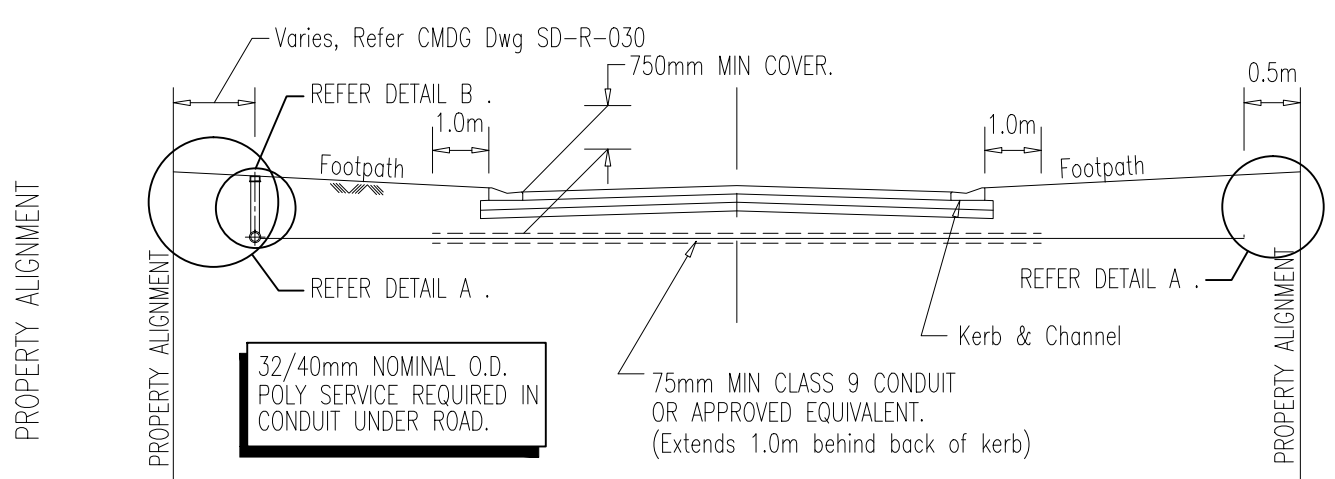
ELEVATION

WATER MAIN CONNECTION
DETAIL: B

WATER SERVICE CONNECTION
DETAIL: A

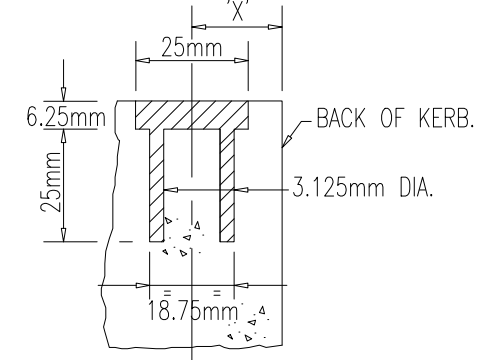
MARK NO	DESCRIPTION	MARK NO	DESCRIPTION
1	Approved 20mm Water Meter	10	32mm TPFNR with Spindle Top
2	20mm Ball Cock	11	Approved Tapping Band - Tapped 25/32mm DIA..
4	20mm F.I. x 25 OD Poly Connector Elbow	12	32/40mm OD Nominal
5	32/40mm OD x 90 Poly Bend	13	25mm Nominal OD Poly
6	25P x 25Px32/40P Nominal OD Poly Tee (or equivalent)	14	20mm x 150 threaded Poly
8	25/32mm F.I. x 32/40 mm Poly Connector	15	100mm o UPVC Sewer Class SEH Riser
9	M.I Ferrule Bend	16	30 x 75 x 350 HWD Support
		17	3 Brick Support
		18	50mm MIN Sand Bedding

- NOTES :
1. No galvanized fittings to be used.
 2. Check applicability box for service requirements for different councils

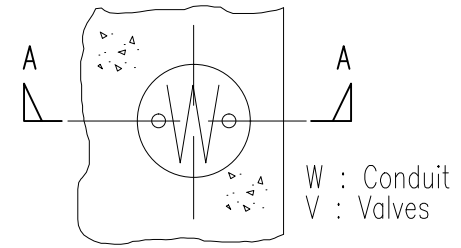


ROAD CONDUIT CROSSING

- NOTES:
1. Dimension 'X' shall be 75mm for BARRIER KERB and 25mm for MOUNTABLE KERB.
 2. This Drawing shall be read in conjunction with the relevant specification for Service Conduits.
 3. A BRASS or STAINLESS STEEL Service Conduit Marker is to be installed for all Conduits. Refer Detail.
 4. Markers for Valves to be installed in kerb and channel at 90° to Valve location.

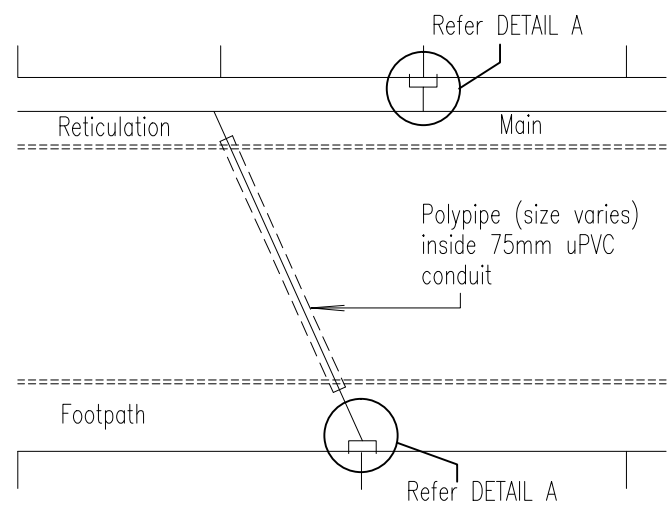


SECTION A-A



PLAN

BRASS or STAINLESS STEEL SERVICE CONDUIT MARKER and VALVE MARKER DISC



TYPICAL WATER MAIN CONNECTIONS

N.T.S

MINIMUM COVER IN PUBLIC AREAS

Location	Minimum Cover Measure below ground surface level in mm
Unpaved	450
Paved or Road Surface	450
Solid Rock	300

Table 5.3 as given in A.S.3500.1.2 of 1998

APPLICABILITY TABLE

Council	BSC	CHRC	GRC	IRC	LSC	MRC	RRC
Applicable	Yes	Yes	No	Yes	Yes	Yes	Yes
Short / long dual and short long single size (OD)	32	32		32	40	32	40
Service box Installation	No	No		No	Yes	No	Yes
Applicable DWG	CMDG-W-090A						

REVISIONS	DATE
F IRC ADDED	11/2016
E AMMEND TPFNR TO 32mm	04/2016
D GRC AND LSC ADDED, DOUBLE SERVICE SIZE	01/2015
40mm. AMENDED TPFNR REFERENCE	
C APPLICABILITY CHANGES	01/2013
B RRC AMENDMENTS	05/2011
A ORIGINAL ISSUE	

DISCLAIMER.
The authors and sponsoring organisations shall have no liability or responsibility to the user or any other person or entity with respect to any liability, loss or damage caused or alleged to be caused, directly or indirectly, by the adoption and use of these Standard Drawings including, but not limited to, any interruption of service, loss of business or anticipatory profits, of consequential damages resulting from the use of these Standard Drawings. Persons must not rely on these Standard Drawings as the equivalent of, or a substitute for, project-specific design and assessment by an appropriately qualified professional.

Capricorn Municipal Development Guidelines
Incorporating:
Banana Shire Council (BSC) Livingstone Shire Council (LSC)
Central Highlands Regional Council (CHRC) Maranoa Regional Council (MRC)
Gladstone Regional Council (GRC) Rockhampton Regional Council (RRC)
Isaac Regional Council (IRC)

20 & 25mm SERVICE AND WATER METER CONNECTIONS

ROADS
STANDARD DRAWING
CMDG-W-090
REV. A B C D E F