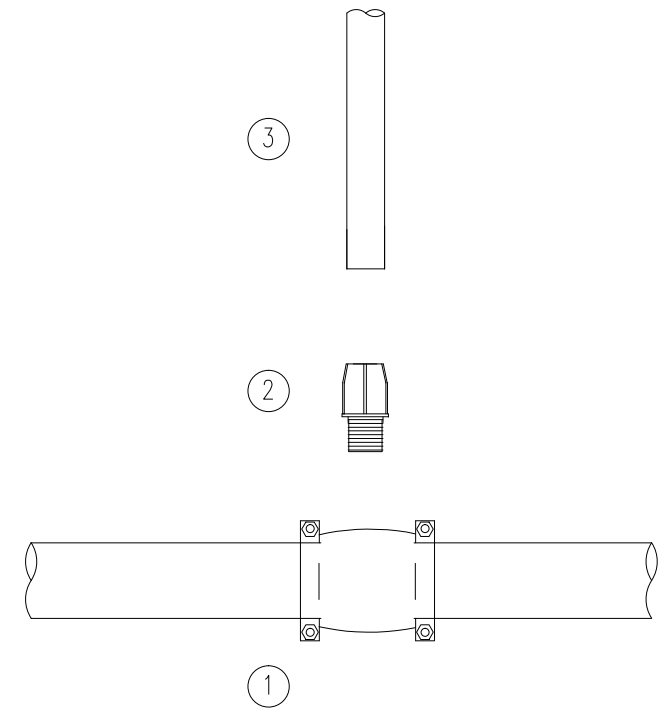


NOTE: TO SCOUR POLY LOOP, CLOSE VALVE AND OPEN HYDRANT

TYPICAL CUL-DE-SAC WATER PLAN



DETAIL A (PLAN)

MARK NO	DESCRIPTION
1	Elongated Tapping Band - Tapped to 50mm ϕ BSPT
2	50mm ϕ MI 63mm ϕ Poly End Connector
3	DN63 HDPE PN 12.5
4	100 Sluice Valve
5	100 Hydrant, Tee and Riser
6	End Cap and Thrust Block
7	100mm PVC Service Conduit

FITTINGS DETAIL

APPLICABILITY TABLE							
Council	BSC	CHRC	GRC	IRC	LSC	MRC	RRC
Applicable	Yes	Yes	Yes	Yes	Yes	Yes	Yes

REVISIONS	DATE
D IRC ADDED	11/2016
C GRC AND LSC ADDED	09/2014
B RRC AMENDMENTS	05/2011
A ORIGINAL ISSUE	01/2010

DISCLAIMER.
The authors and sponsoring organisations shall have no liability or responsibility to the user or any other person or entity with respect to any liability, loss or damage caused or alleged to be caused, directly or indirectly, by the adoption and use of these Standard Drawings including, but not limited to, any interruption of service, loss of business or anticipatory profits, of consequential damages resulting from the use of these Standard Drawings. Persons must not rely on these Standard Drawings as the equivalent of, or a substitute for, project-specific design and assessment by an appropriately qualified professional.

Capricorn Municipal Development Guidelines
Incorporating:
Banana Shire Council (BSC) Livingstone Shire Council (LSC)
Central Highlands Regional Council (CHRC) Maranoa Regional Council (MRC)
Gladstone Regional Council (GRC) Rockhampton Regional Council (RRC)
Isaac Regional Council (IRC)

CUL-DE-SAC SCOUR DETAILS

ROADS
STANDARD DRAWING
CMDG-W-081
REV. A B C D