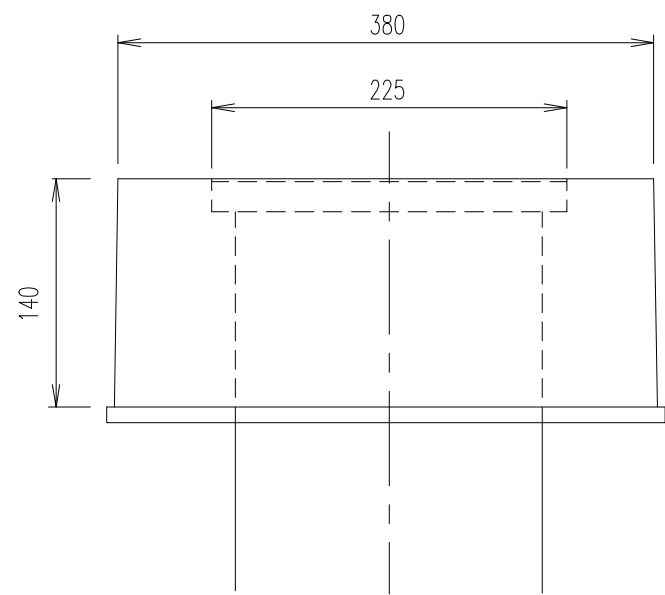
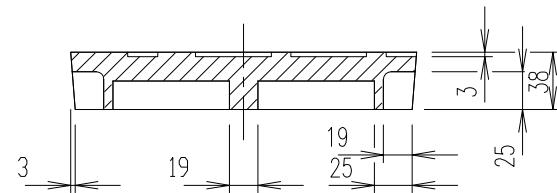


**NOTES:**

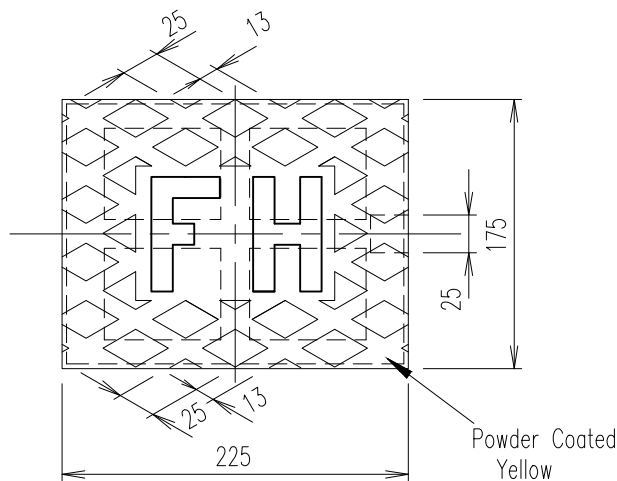
1. Mass of base & lid = 17kg approx.
2. Grey cast Iron, grade  $\geq$  T180 to AS 1830.
3. Alternative valve boxes may be adopted where approved by the Service Authority.
4. All dimensions in millimetres.



ELEVATION

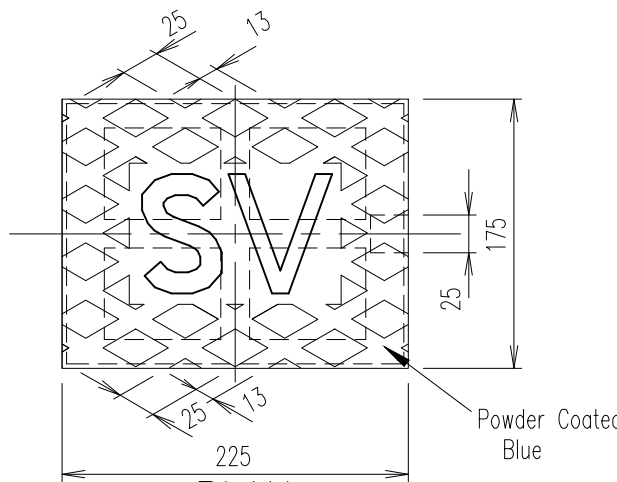


SECTIONAL VIEW



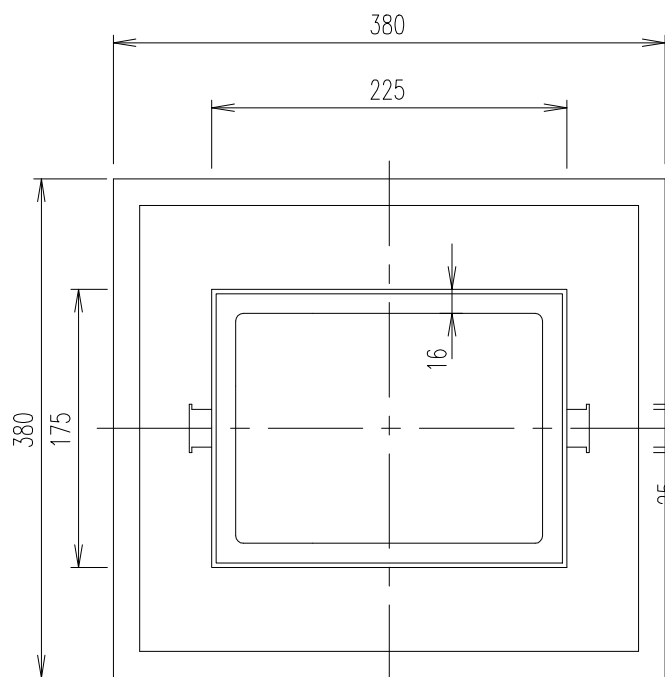
PLAN HYDRANT COVER

Powder Coated Yellow



PLAN VALVE COVER

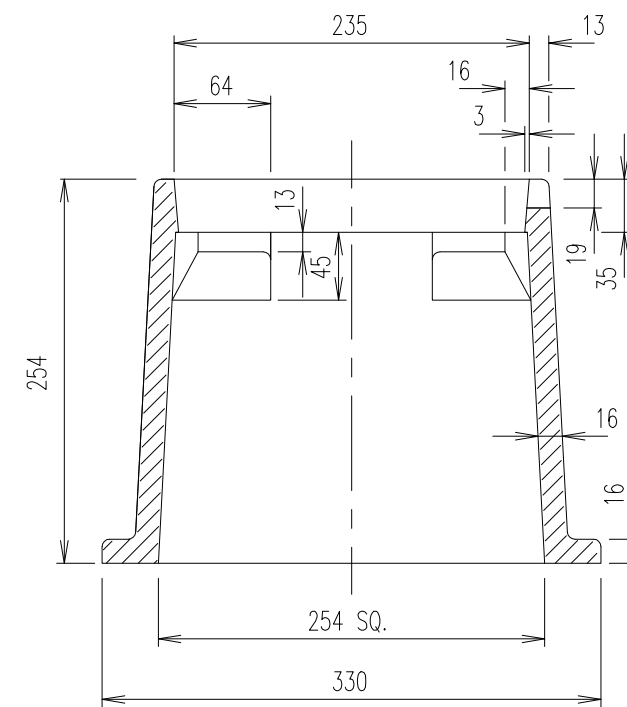
Powder Coated Blue



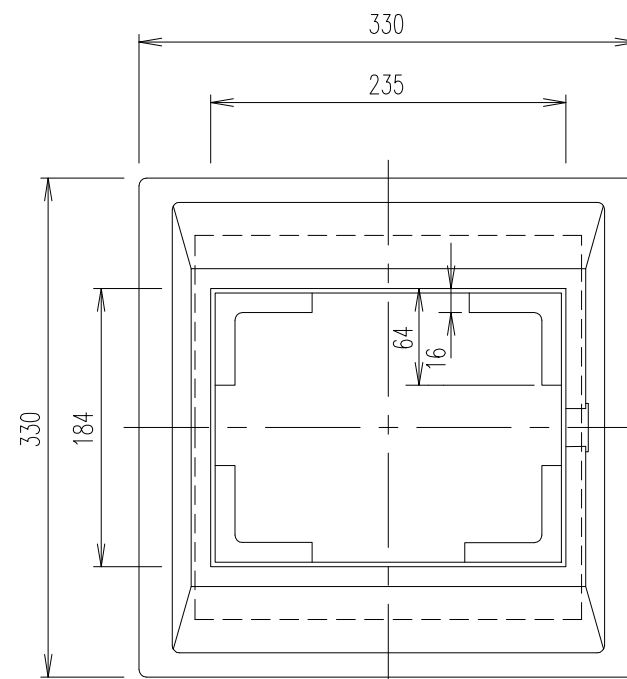
PLAN

**POLYETHYLENE SURFACE BOX – HYDRANT/VALVE**

NOTE: BOX NOT RECOMENDED FOR HEAVY, FAST MOVING TRAFFICABLE AREAS



ELEVATION



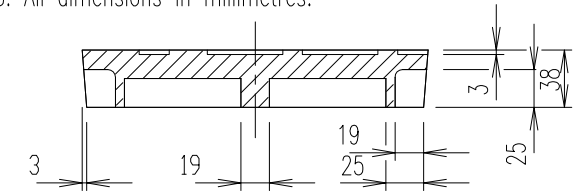
PLAN

**C.I SURFACE BOX – HYDRANT/VALVE**

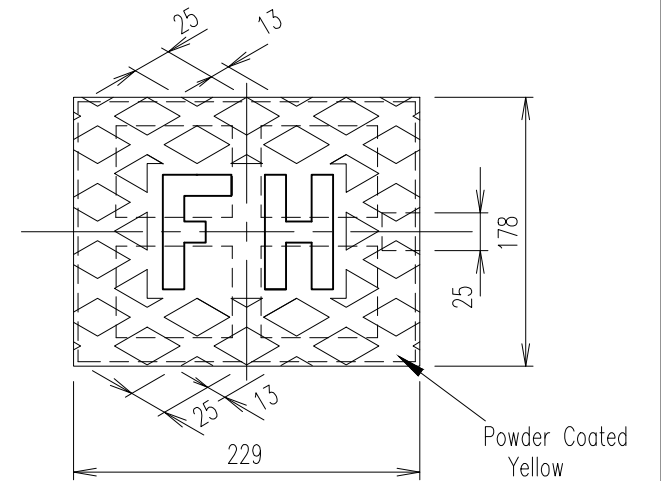
NOTE: BOX RECOMENDED FOR HEAVY, FAST MOVING TRAFFICABLE AREAS

**NOTES:**

1. Mass of body = 37kg approx.
2. Mass of cover = 14kg approx.
3. Rounding of 5mm NOM. RAD. at all corners.
4. Grey cast Iron, grade  $\geq$  T180 to AS 1830.
5. Alternative valve boxes may be adopted where approved by the Service Authority.
6. All dimensions in millimetres.

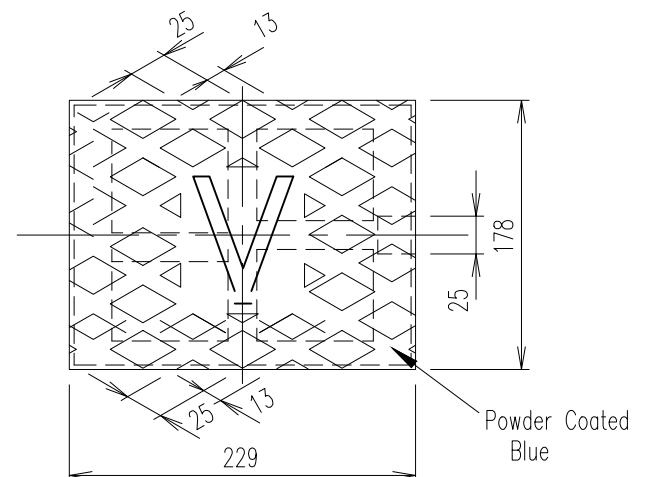


SECTIONAL VIEW



PLAN HYDRANT COVER

Powder Coated Yellow



PLAN VALVE COVER

Powder Coated Blue

**APPLICABILITY TABLE**

Council	BSC	CHRC	GRC	IRC	LSC	MRC	RRC
Applicable	Yes	Yes	Yes	Yes	Yes	Yes	Yes

REVISIONS	DATE
D IRC ADDED	11/2016
C GRC AND LSC ADDED	09/2014
B RRC AMENDMENTS	05/2011
A ORIGINAL ISSUE	01/2010

**DISCLAIMER.**  
The authors and sponsoring organisations shall have no liability or responsibility to the user or any other person or entity with respect to any liability, loss or damage caused or alleged to be caused, directly or indirectly, by the adoption and use of these Standard Drawings including, but not limited to, any interruption of service, loss of business or anticipatory profits, of consequential damages resulting from the use of these Standard Drawings. Persons must not rely on these Standard Drawings as the equivalent of, or a substitute for, project-specific design and assessment by an appropriately qualified professional.

**Capricorn Municipal Development Guidelines**  
Incorporating:  
Banana Shire Council (BSC) Livingstone Shire Council (LSC)  
Central Highlands Regional Council (CHRC) Maranoa Regional Council (MRC)  
Gladstone Regional Council (GRC) Rockhampton Regional Council (RRC)  
Isaac Regional Council (IRC)

**HYDRANT AND VALVE SURFACE BOXES**

ROADS  
STANDARD DRAWING  
CMDG-W-061A  
REV. A B C D