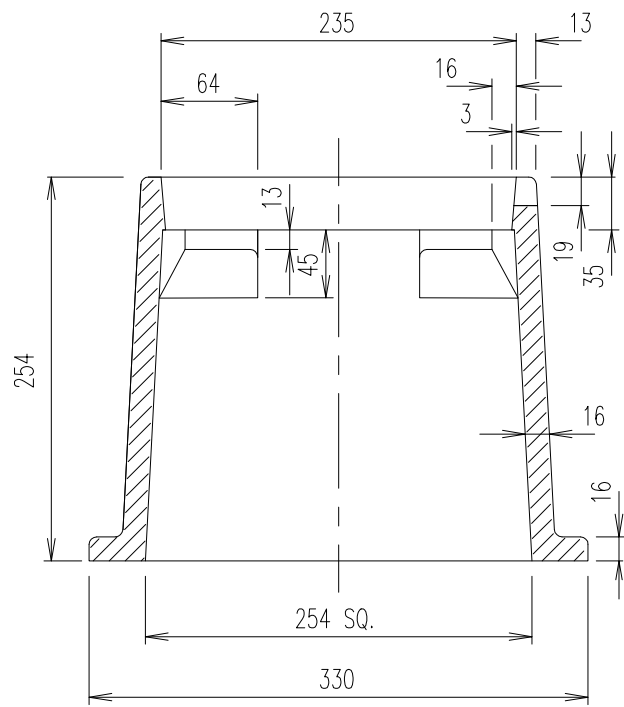
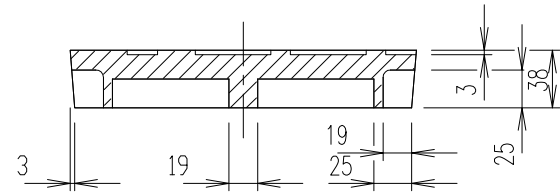


NOTES:

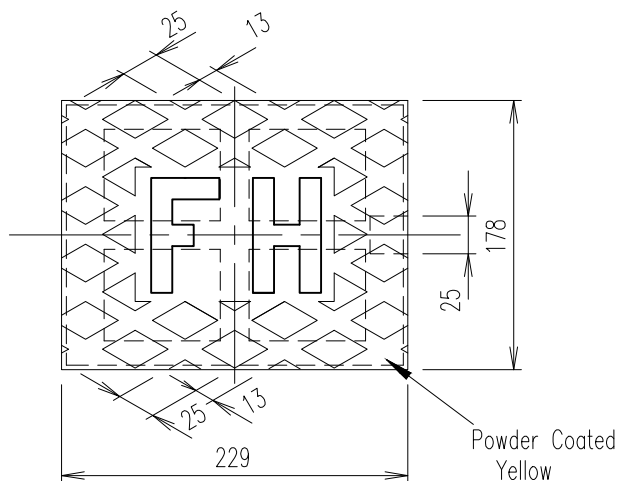
- Mass of cover = 14kg approx.
- Mass of body = 37kg approx.
- Radius of body 5mm to all corners.
- Grey cast Iron, grade \geq T180 to AS 1830.
- Alternative valve boxes may be adopted where approved by the Service Authority.
- All dimensions in millimetres.



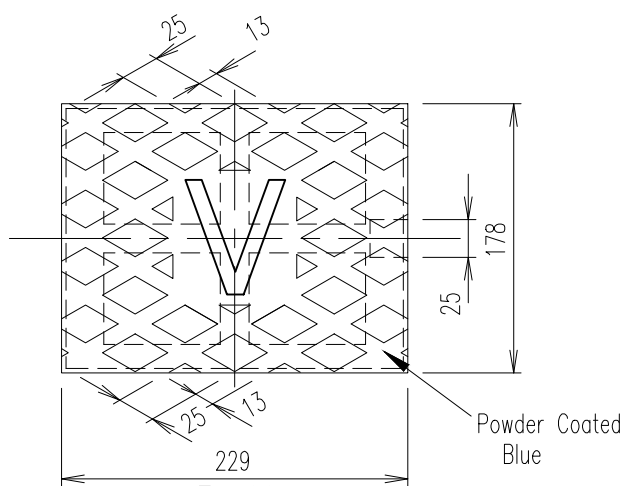
ELEVATION



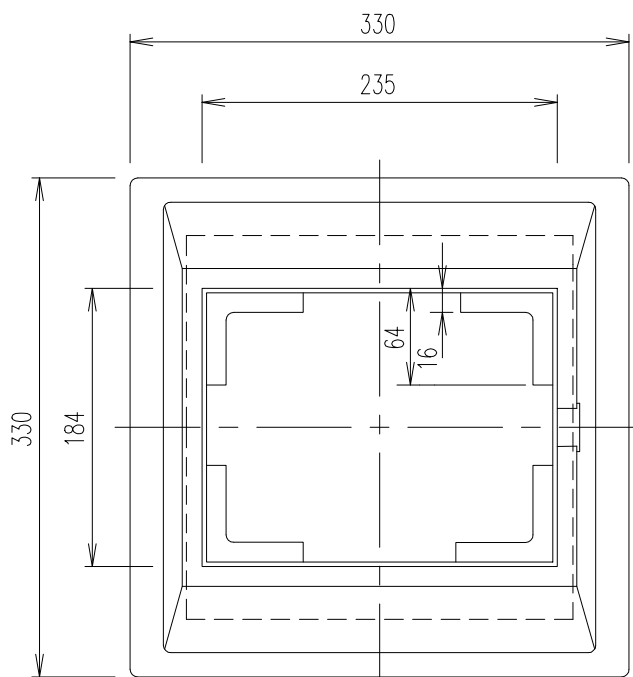
SECTIONAL VIEW



PLAN HYDRANT COVER

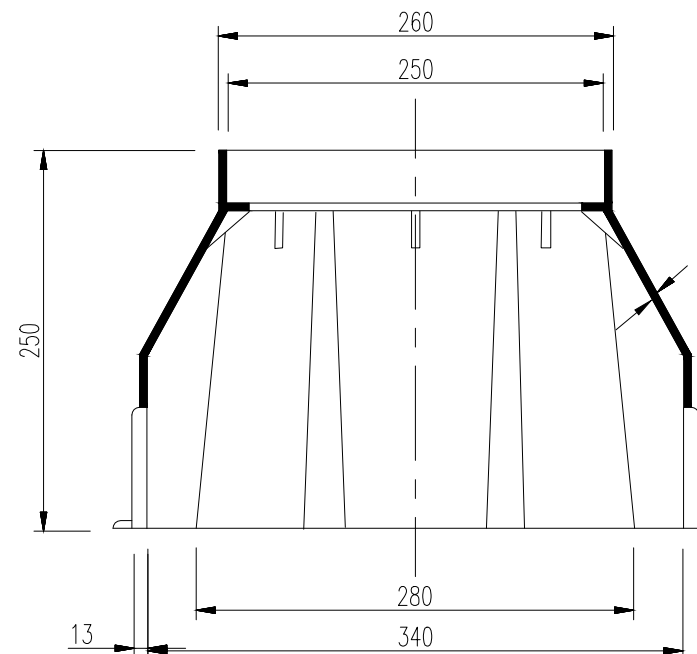


PLAN VALVE COVER

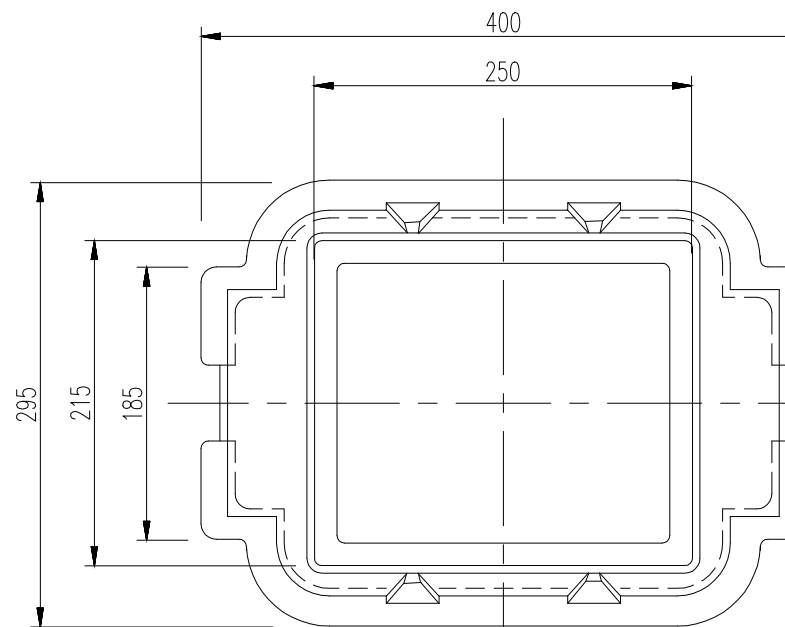


PLAN

C.I. SURFACE BOX – HYDRANT/VALVE

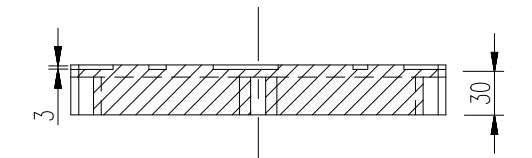


SECTIONAL VIEW

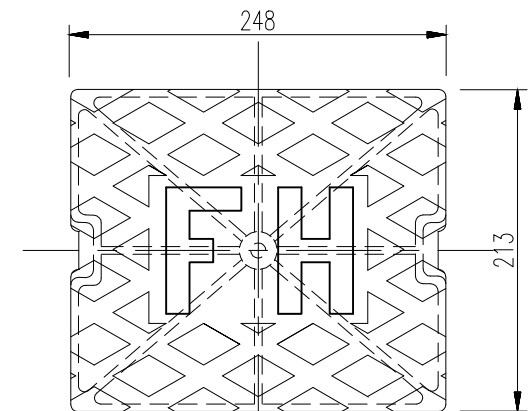


PLAN

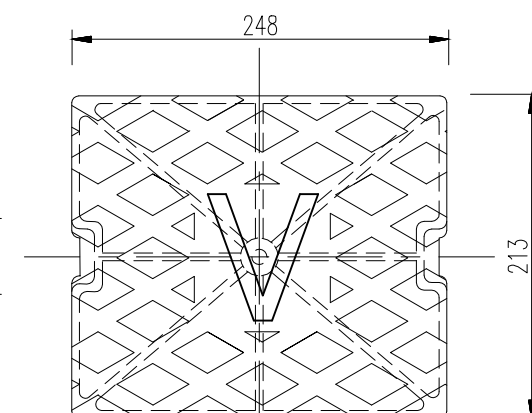
POLYETHYLENE SURFACE BOX – HYDRANT/VALVE
(FOR USE IN NON TRAFFIC AREAS ONLY)



SECTIONAL VIEW



PLAN HYDRANT COVER



PLAN VALVE COVER

NOTES:

- The lid is secured to the body by a galvanized chain with stainless steel nuts and bolts.
- Boxes made from UV resistant, high impact, high density Polyethylene or heavy duty glass filled nylon.
- Aluminium pins are attached to the underside of the lid for location purposes.
- Tapered with stacking lugs makes storage and carriage easier.
- All dimensions in millimetres.

APPLICABILITY TABLE							
Council	BSC	CHRC	GRC	IRC	LSC	MRC	RRC
Applicable	Yes	Yes	Yes	Yes	No	No	No
Applicable DWG	CMDG-W-061A						

REVISIONS	DATE
D IRC ADDED	11/2016
C GRC AND LSC ADDED	09/2014
B RRC AMENDMENTS	05/2011
A ORIGINAL ISSUE	01/2010

DISCLAIMER.
The authors and sponsoring organisations shall have no liability or responsibility to the user or any other person or entity with respect to any liability, loss or damage caused or alleged to be caused, directly or indirectly, by the adoption and use of these Standard Drawings including, but not limited to, any interruption of service, loss of business or anticipatory profits, of consequential damages resulting from the use of these Standard Drawings. Persons must not rely on these Standard Drawings as the equivalent of, or a substitute for, project-specific design and assessment by an appropriately qualified professional.

Capricorn Municipal Development Guidelines
Incorporating:
Banana Shire Council (BSC) Livingstone Shire Council (LSC)
Central Highlands Regional Council (CHRC) Maranoa Regional Council (MRC)
Gladstone Regional Council (GRC) Rockhampton Regional Council (RRC)
Isaac Regional Council (IRC)

HYDRANT AND VALVE SURFACE BOXES

ROADS
STANDARD DRAWING
CMDG-W-061
REV. A B C D