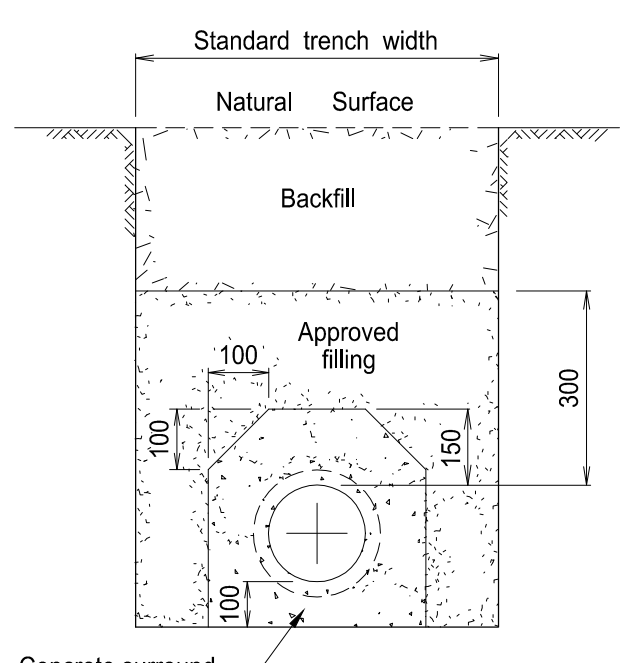
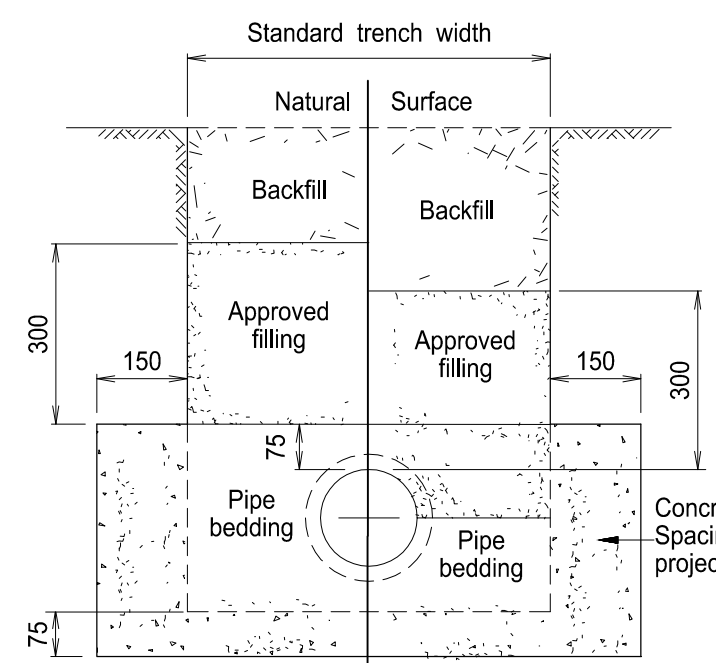


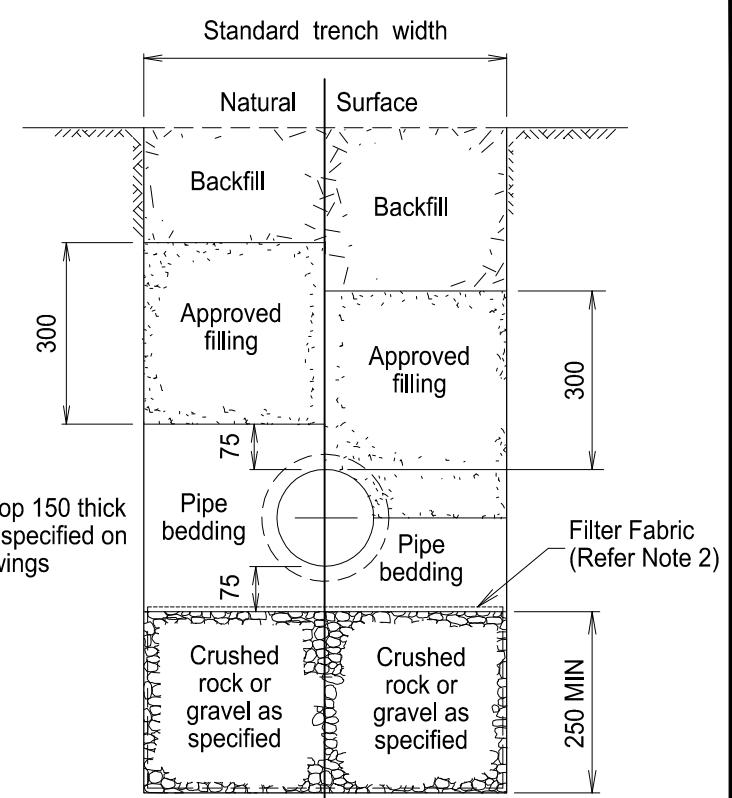
TYPE 1



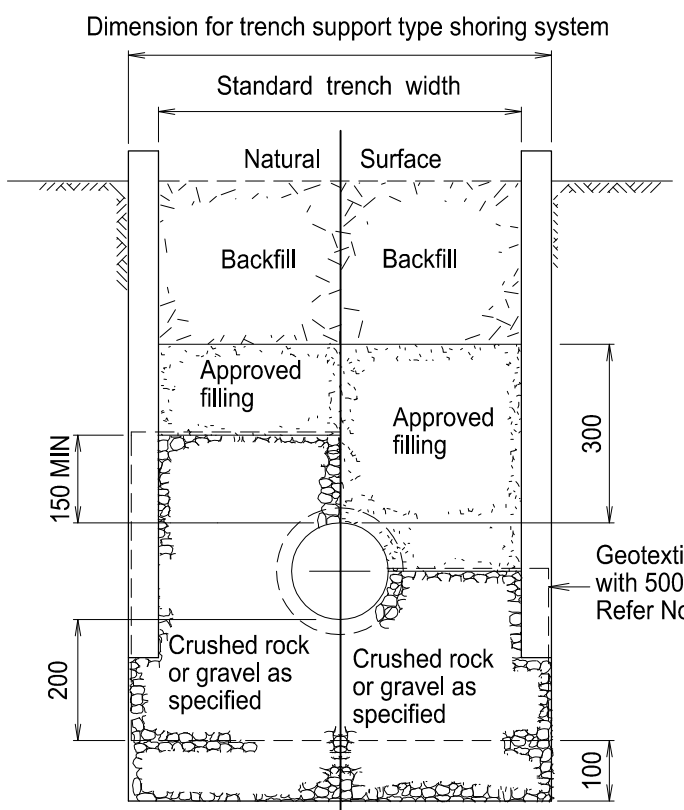
TYPE 2



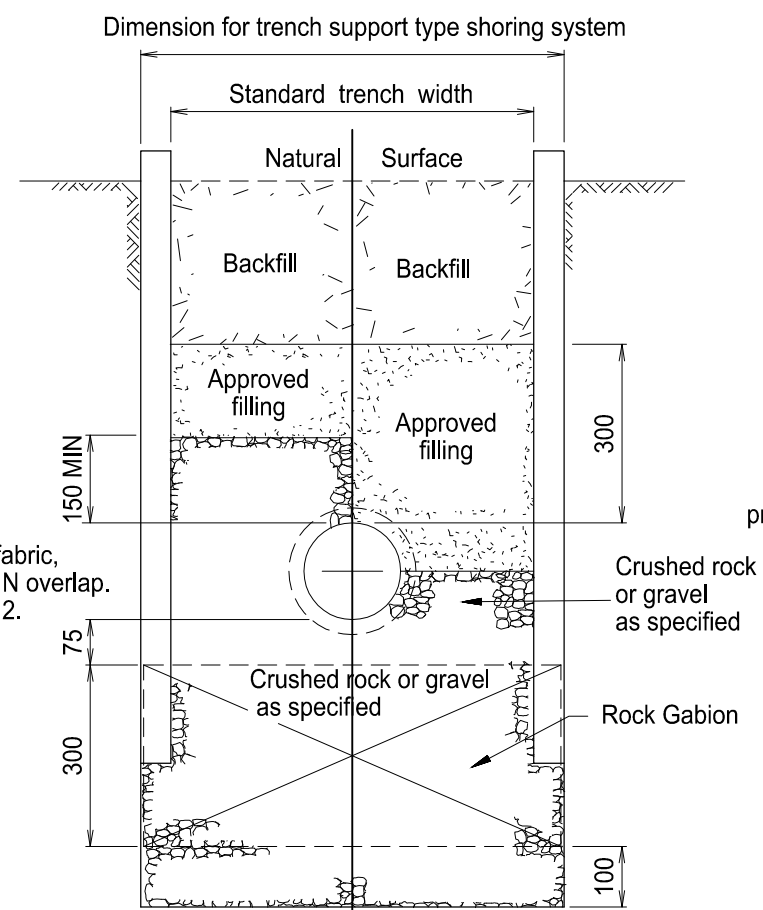
TYPE 3



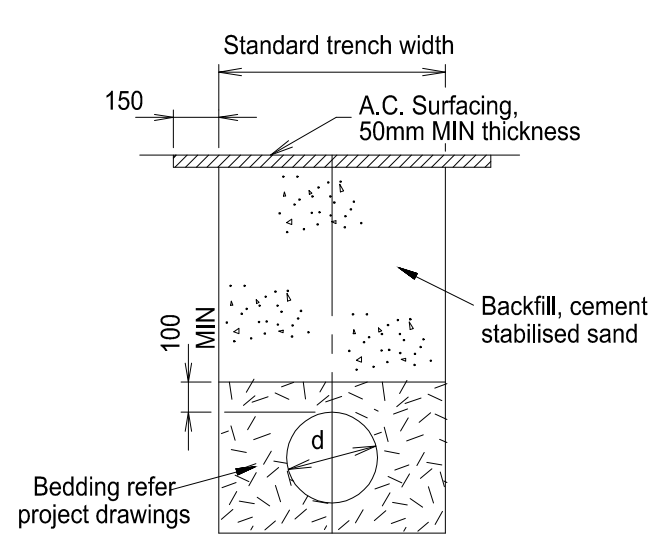
TYPE 4



TYPE 5



TYPE 6



UNDER EXISTING ROADS

TYPE 7

NOTES:

- Pipe bedding classification
 - Rigid Pipes : Vitrified clay, steel, ductile iron, fibre cement and concrete.
 - Flexible Pipes : Unplasticised polyvinyl chloride, glass filament reinforced thermosetting plastics, acrylonitrile butadiene styrene and polyethylene. (Pipe to be wrapped with "Abeflex" or equivalent).
- An approved geotextile fabric shall be used in all trenches around crushed rock pipe bedding.
- The road surface finish shall be asphaltic concrete or other surface specified in the project drawings or by the Superintendent.
- Sand surround (compacted in 150mm layers) > 70% D.I. or 95% standard compaction in bedding and side support. Density index (D.I.) as per A.S.1289 E6.1 Standard compaction as per A.S. 1289 E1.2
- Concrete N20 in accordance with AS 1379 and AS 3600.
- All dimensions in millimetres.

APPLICABILITY TABLE								
Council	BSC	CHRC	GRC	IRC	LSC	MRC	RRC	
Applicable	Yes	Yes	Yes	Yes	Yes	Yes	Yes	Yes

DIA of Pipe	100	150	225	300	375	450	525	600	675	750	825	900
Standard trench width	600	600	675	750	825	900	1000	1075	1150	1300	1375	1450

REVISIONS	DATE
D IRC ADDED	11/2016
C GRC AND LSC ADDED	09/2014
B RRC AMENDMENTS	05/2011
A POST AMALGAMATION REVIEW	01/2010

DISCLAIMER.
The authors and sponsoring organisations shall have no liability or responsibility to the user or any other person or entity with respect to any liability, loss or damage caused or alleged to be caused, directly or indirectly, by the adoption and use of these Standard Drawings including, but not limited to, any interruption of service, loss of business or anticipatory profits, of consequential damages resulting from the use of these Standard Drawings. Persons must not rely on these Standard Drawings as the equivalent of, or a substitute for, project-specific design and assessment by an appropriately qualified professional.

Capricorn Municipal Development Guidelines
Incorporating:
Banana Shire Council (BSC) Livingstone Shire Council (LSC)
Central Highlands Regional Council (CHRC) Maranoa Regional Council (MRC)
Gladstone Regional Council (GRC) Rockhampton Regional Council (RRC)
Isaac Regional Council (IRC)

SEWER CONSTRUCTION PIPELINE CONSTRUCTION TYPES

ROADS
STANDARD DRAWING
CMDG-S-090
REV. A B C D