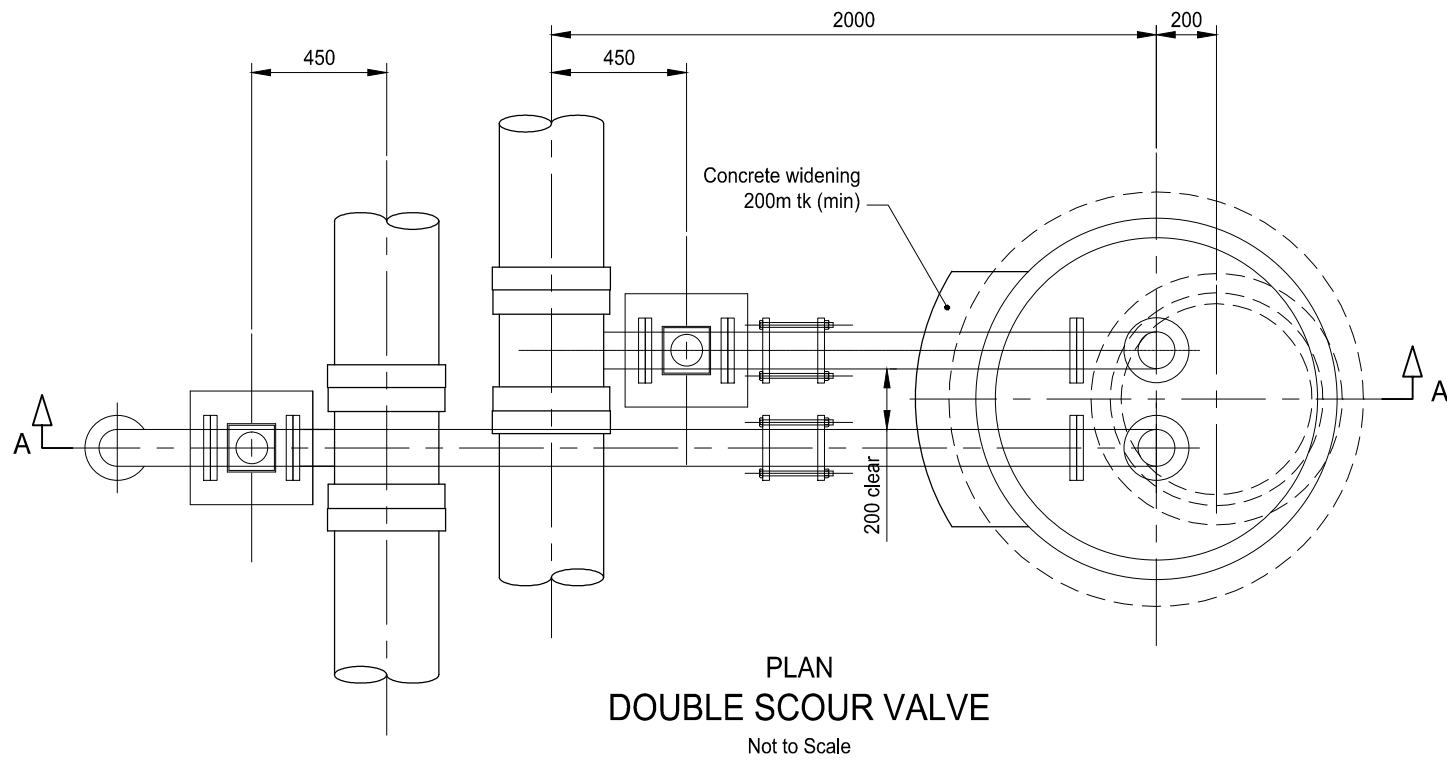


For details of Sluice Valve installation refer CMDG Dwg SD-W-060.

SECT ELEV AA
Not to Scale



PLAN
DOUBLE SCOUR VALVE
Not to Scale

ITEMS SCHEDULE			
ITEM	DESCRIPTION	DIA	REQD
1	Scour Tee Soc/Soc/FI	??x100	2
2	Sluice Valve FI/FI	100	2
3	90° Bend FI/FI	100	4
4	Pipe (length to suit) FI/FI	100	5
5	Convertor FI/Sp	100	2
6	Gibault	100	2
7	Adapta Flange	100	2
8	Reducing Flange	100x80	2
9	Camlock Coupling	80	2
10	RC Shaft (length to suit)	1050	1
11	RC Convertor Slab	1050	1
12	RC Surround & Cover	600	1

NOTES:

- All dimensions are in metres unless otherwise shown.
- Concrete to be 32MPa and in accordance with AS. 1379 and AS. 3600.
- Reinforcement to be in accordance with AS. 1304.
- All flanges to be in accordance with AS. 2129 - Table C U.N.O.
- Scour Valve marker posts to be installed in accordance with CMDG-W-060.
- Precast Reinforced Concrete Chamber components to be Humes 1050 Access Chamber Epoxy Jointed or similar approved equivalent.
- RC Convertor Slab, RC Surround & CI Cover to be rotated to provide optimum access to pit.
- RC Surround to be supplied with Cast Iron frame to suit solid Cast Iron bolt down San Sew Cover.
- Where foundation bearing pressure is less than 50 kPa, excavate and replace unsatisfactory material with compacted CBR15 material to the depth ordered by the Works Supervisor.

APPLICABILITY TABLE							
Council	BSC	CHRC	GRC	IRC	LSC	MRC	RRC
Applicable	Yes	Yes	Yes	Yes	Yes	Yes	Yes

REVISIONS	DATE
E IRC ADDED	11/2016
D DIMENSIONS EXPRESSED IN mm	03/2013
C GRC AND LSC ADDED	09/2014
B RRC AMENDMENTS	05/2011
A POST AMALGAMATION REVIEW	01/2010

DISCLAIMER.
The authors and sponsoring organisations shall have no liability or responsibility to the user or any other person or entity with respect to any liability, loss or damage caused or alleged to be caused, directly or indirectly, by the adoption and use of these Standard Drawings including, but not limited to, any interruption of service, loss of business or anticipatory profits, of consequential damages resulting from the use of these Standard Drawings. Persons must not rely on these Standard Drawings as the equivalent of, or a substitute for, project-specific design and assessment by an appropriately qualified professional.

Capricorn Municipal Development Guidelines
Incorporating:
Banana Shire Council (BSC) Livingstone Shire Council (LSC)
Central Highlands Regional Council (CHRC) Maranoa Regional Council (MRC)
Gladstone Regional Council (GRC) Rockhampton Regional Council (RRC)
Isaac Regional Council (IRC)

**DOUBLE SCOUR SEWER VALVE
CONSTRUCTION DETAILS**

ROADS
STANDARD
DRAWING
CMDG-S-074
REV. A B C D E