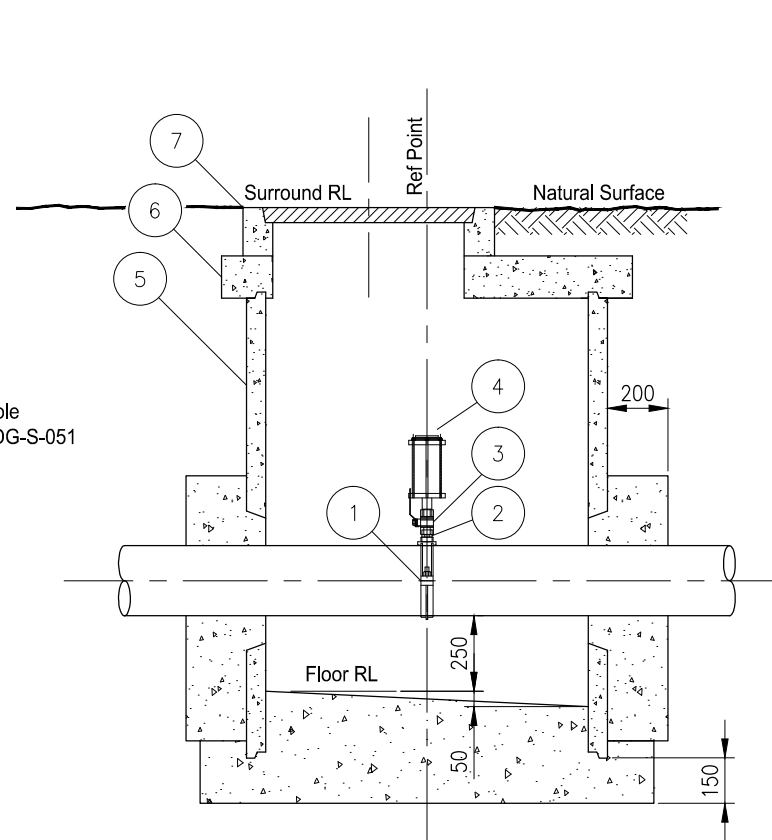
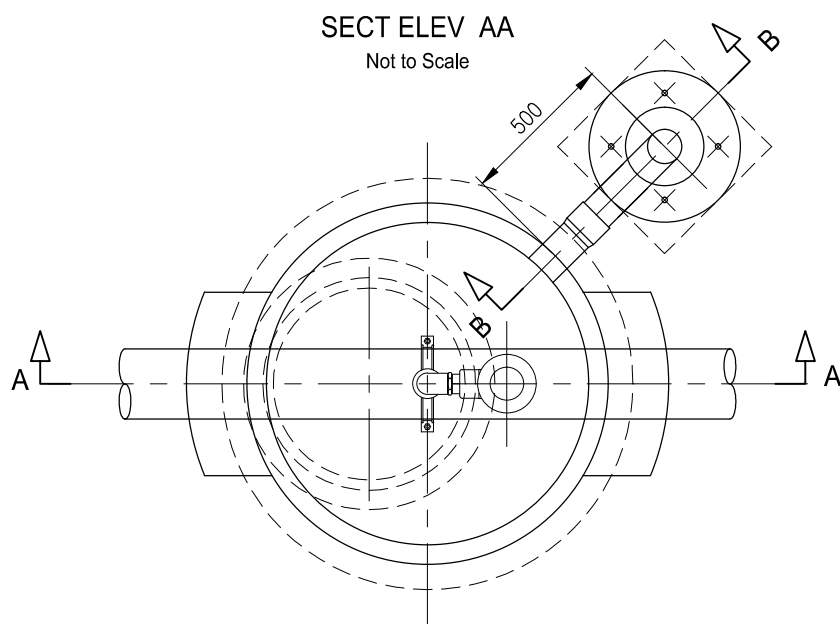


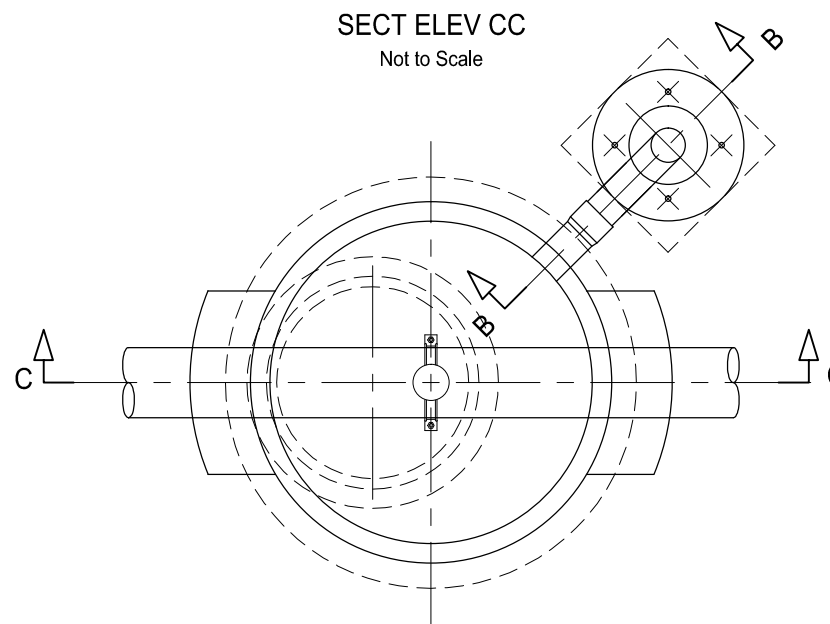
SECT ELEV AA  
Not to Scale



SECT ELEV CC  
Not to Scale



PLAN  
AIR VALVE (SEWER  
R/MAIN)  
TYPICAL DETAILS  
Not to Scale



PLAN  
AIR VALVE (EFFLUENT R/MAIN)  
TYPICAL DETAILS  
Not to Scale

ITEMS SCHEDULE (SEWER R/MAIN)			
ITEM	DESCRIPTION	DIA (mm)	REQD
1	Tapping Band (Screwed)	??x50	1
2	SS Elbow (Screwed) M&F	50	1
3	SS Nipple (Screwed) M&M	50	1
4	SS Ball Valve (Screwed) F&F	50	1
5	SS Elbow (Screwed) M&F	50	1
6	GFR "Vent Master" Air Valve	50	1
7	Vent Pipe	-	1
8	RC Shaft (length to suit)	1050	1
9	RC Converter Slab	1050	1
10	RC Surround & CI Cover	600	1

ITEMS SCHEDULE (EFFLUENT R/MAIN)			
ITEM	DESCRIPTION	DIA (mm)	REQD
1	Tapping Band (Screwed)	200x25	1
2	Brass Nipple (Screwed) M&M	25	1
3	Brass Ball Valve (Screwed) F&F	25	1
4	"Vent-o-Mat" Air Valve (Screwed)	25	1
5	RC Shaft (length to suit)	1050	1
6	RC Converter Slab	1050	1
7	RC Surround & CI Cover	600	1

NOTES:

- All dimensions are in metres unless otherwise shown.
- Concrete to be 32MPa and in accordance with AS. 1379 and AS. 3600.
- Reinforcement to be in accordance with AS. 1304.
- All flanges to be in accordance with AS. 2129 - Table C U.N.O.
- Air Valve marker posts to be installed in accordance with CMDG-W-060.
- Precast Reinforced Concrete Chamber components to be Humes 1050 Access Chamber Epoxy Jointed or similar approved equivalent.
- RC Converter Slab, RC Surround & CI Cover to be rotated to provide optimum access to pit.
- RC Surround to be supplied with Cast Iron frame to suit solid Cast Iron bolt down San Sew Cover.
- For details of Vent Pole refer to CMDG-S-051.
- Where foundation bearing pressure is less than 50 kPa, excavate and replace unsatisfactory material with compacted CBR15 material to the depth ordered by the Works Supervisor.

APPLICABILITY TABLE							
Council	BSC	CHRC	GRC	IRC	LSC	MRC	RRC
Applicable	Yes	Yes	No	Yes	Yes	Yes	Yes
Applicable DWG	GRC SPS Drawing GRC-SPS-24						

REVISIONS	DATE
F IRC ADDED	11/2016
E DIMENSIONS EXPRESSED IN MM GRC APPLICABILITY CHANGE	03/2015
D GRC AND LSC ADDED	09/2014
C VENT POLE DWG REFERENCE AMENDED	01/2013
B RRC AMENDMENTS	05/2011
A POST AMALGAMATION REVIEW	01/2010

DISCLAIMER.  
The authors and sponsoring organisations shall have no liability or responsibility to the user or any other person or entity with respect to any liability, loss or damage caused or alleged to be caused, directly or indirectly, by the adoption and use of these Standard Drawings including, but not limited to, any interruption of service, loss of business or anticipatory profits, of consequential damages resulting from the use of these Standard Drawings. Persons must not rely on these Standard Drawings as the equivalent of, or a substitute for, project-specific design and assessment by an appropriately qualified professional.

**Capricorn Municipal Development Guidelines**  
Incorporating:  
Banana Shire Council (BSC) Livingstone Shire Council (LSC)  
Central Highlands Regional Council (CHRC) Maranoa Regional Council (MRC)  
Gladstone Regional Council (GRC) Rockhampton Regional Council (RRC)  
Isaac Regional Council (IRC)

**AIR VALVES  
CONSTRUCTION DETAILS**

ROADS							
STANDARD DRAWING							
CMDG-S-072							
REV.	A	B	C	D	E	F	