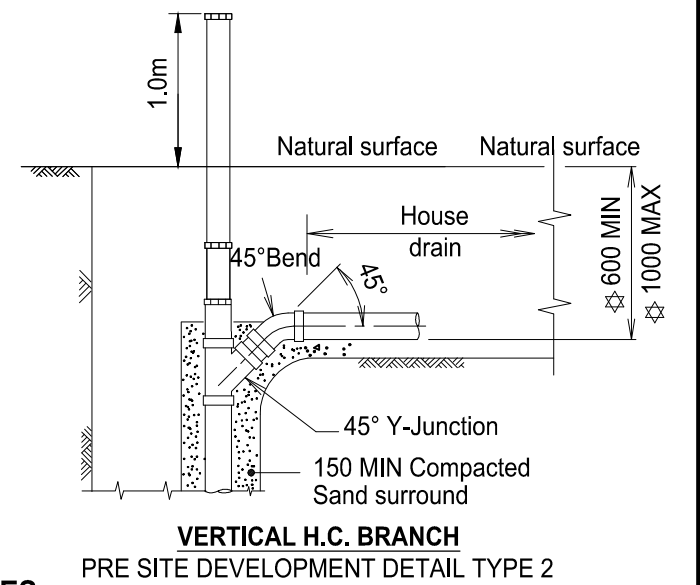
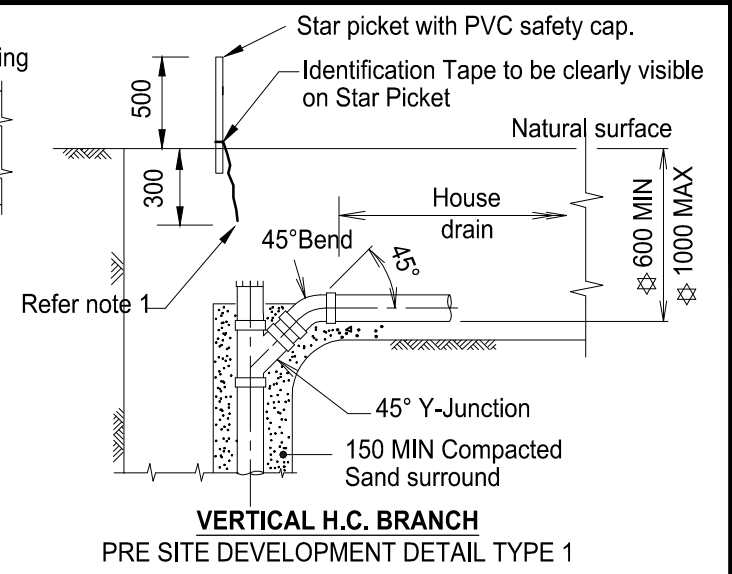
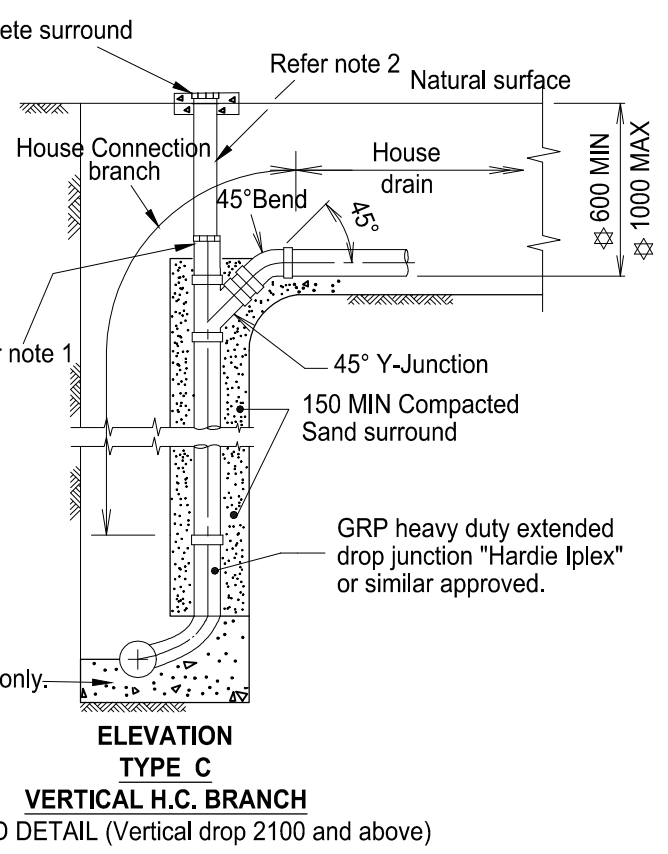
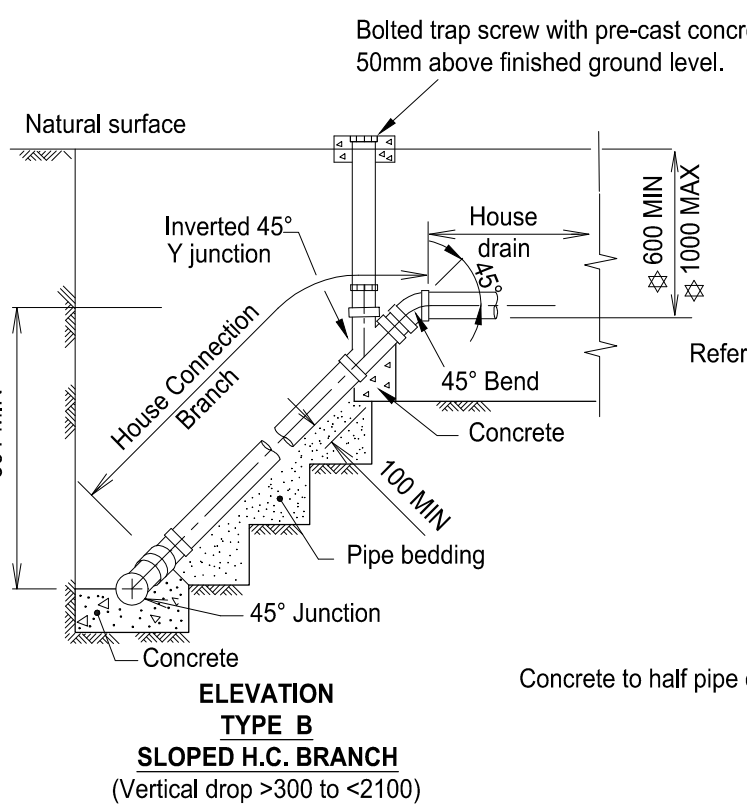
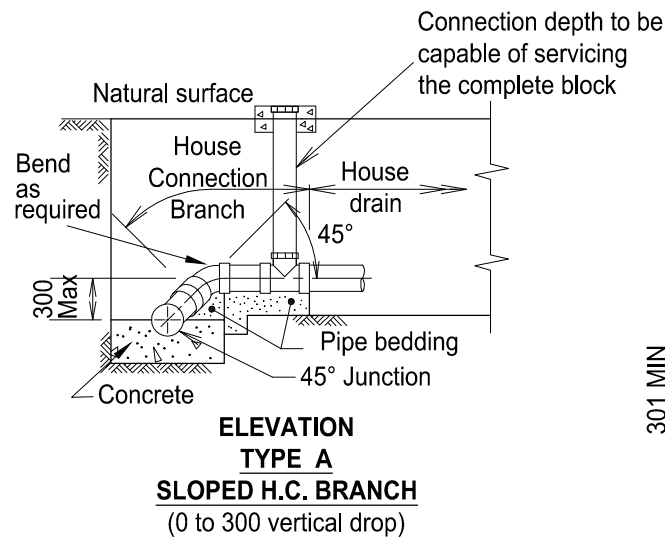
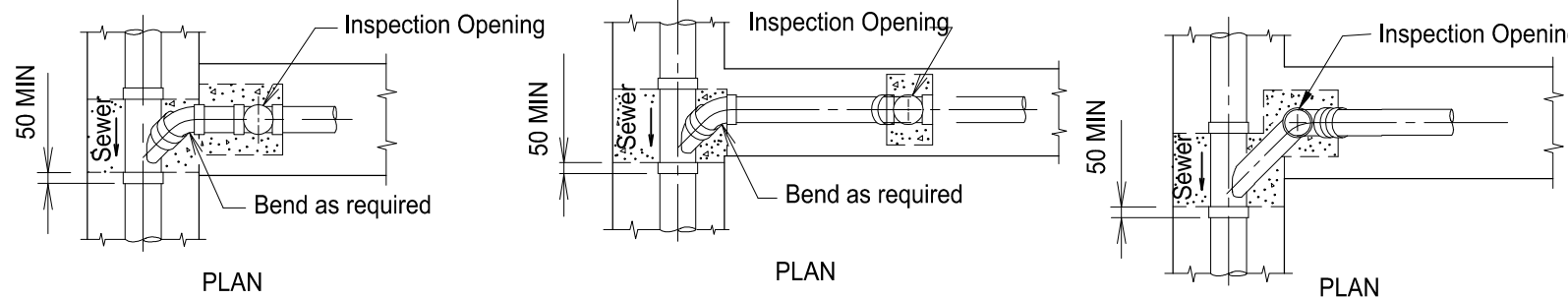


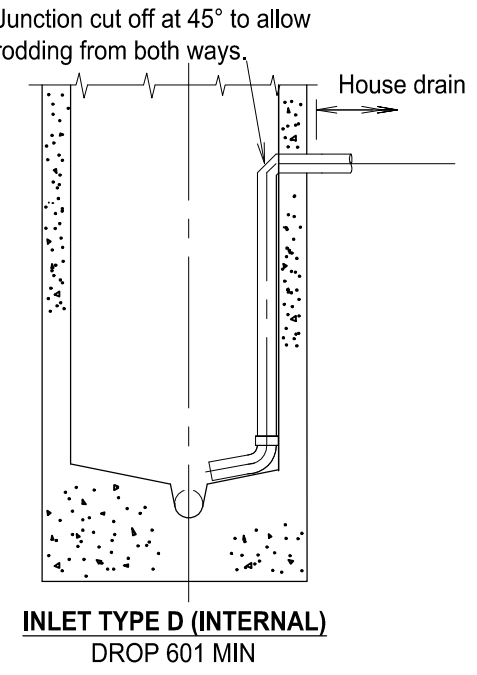
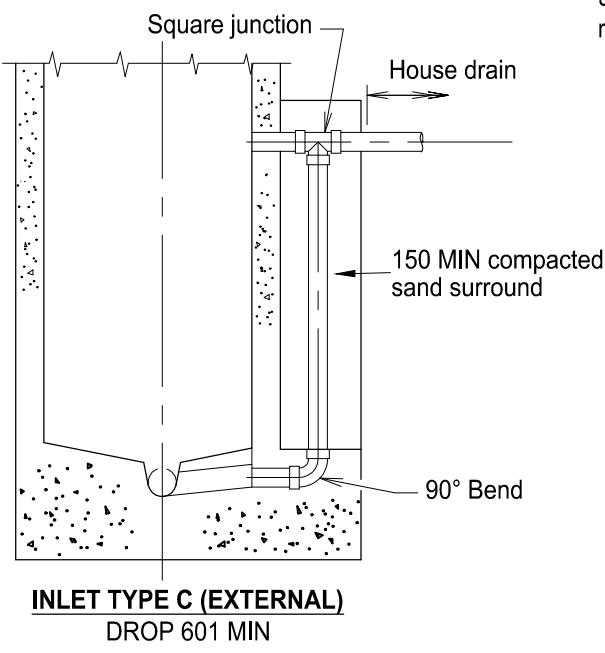
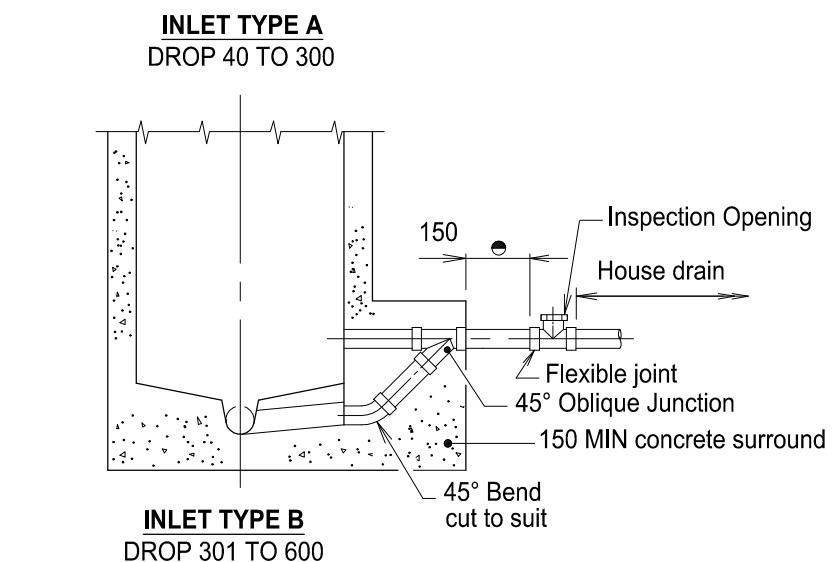
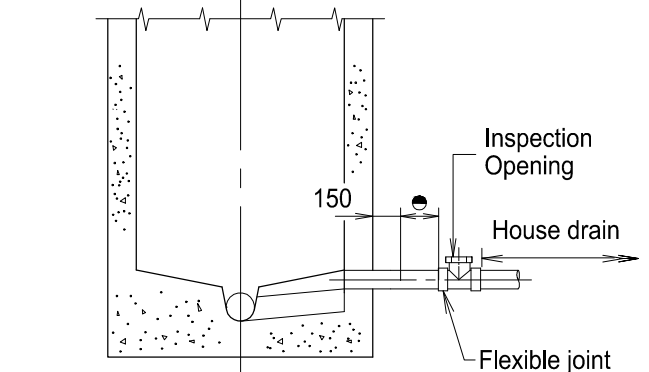
LEGEND

- ☆ The maximum depth to the inspection pipe may be varied only if there is insufficient cover to serve the block
- Length of short pipe shall be 400mm.



NOTES

1. Jump ups to be left 300mm below surface at time of subdivision with star picket marker.
2. Raising of jump ups to be carried out at time of connection.
3. Concrete (excluding access chambers) N20 in accordance with AS1379 & AS3600.
4. Pipe materials and fittings shall have a 'Standards Mark' under the National Plumbing Certification Scheme.
5. Where rigid pipes are used in sewers a 500 long pipe shall be located on each side of the house connection branch.
6. All dimensions in millimetres.



APPLICABILITY TABLE

Council	BSC	CHRC	GRC	IRC	LSC	MRC	RRC
Applicable	Yes	Yes	Yes	Yes	Yes	Yes	Yes
Maximum internal drops per 1050Ø access chamber	2	1	1	1	2	1	2
Pre Site Development Detail	Type 1	Type 1	Type 1	Type 1	Type 1	Type 2	Type 1

REVISIONS	DATE
G IRC ADDED	11/2016
F AMEND GRC PPE DEVELOPMENT TYPE DETAIL	03/2015
E GRC AND LSC ADDED	09/2014
D INSPECTION OPENING ADDED CHRC APPLICABILITY AMENDED	04/2013
C INLET TYPE NAMES AMENDED	02/2013
AMEND INLET TYPE A DROP, PRESITE DETAILS	
B RRC AMENDMENTS	05/2011
A ORIGINAL ISSUE	01/2010

DISCLAIMER.
The authors and sponsoring organisations shall have no liability or responsibility to the user or any other person or entity with respect to any liability, loss or damage caused or alleged to be caused, directly or indirectly, by the adoption and use of these Standard Drawings including, but not limited to, any interruption of service, loss of business or anticipatory profits, of consequential damages resulting from the use of these Standard Drawings. Persons must not rely on these Standard Drawings as the equivalent of, or a substitute for, project-specific design and assessment by an appropriately qualified professional.

Capricorn Municipal Development Guidelines
Incorporating:
Banana Shire Council (BSC) Livingstone Shire Council (LSC)
Central Highlands Regional Council (CHRC) Maranoa Regional Council (MRC)
Gladstone Regional Council (GRC) Rockhampton Regional Council (RRC)
Isaac Regional Council (IRC)

HOUSE CONNECTION BRANCHES

ROADS						
STANDARD DRAWING						
CMDG-S-030						
REV.	A	B	C	D	E	F
G						