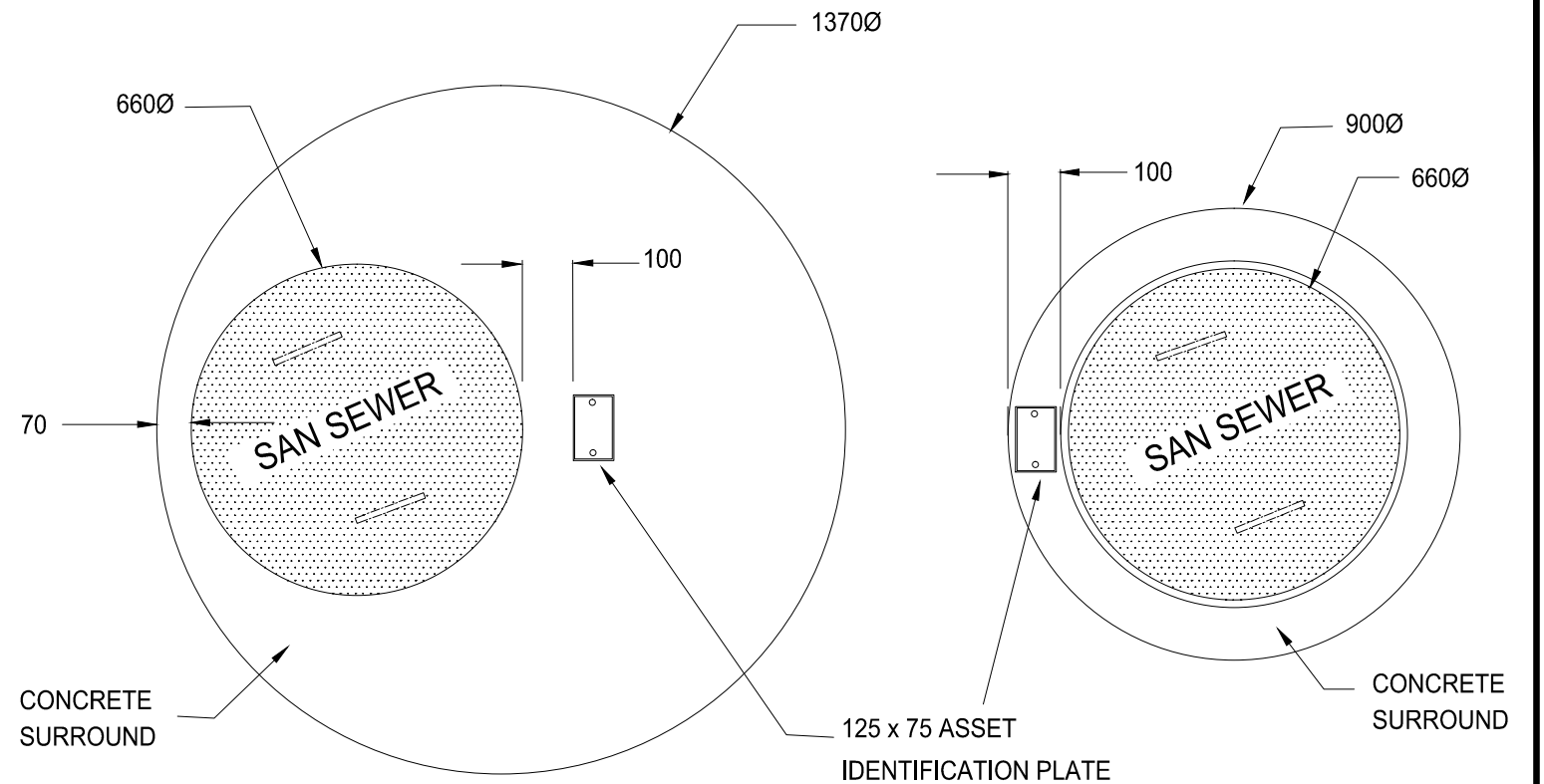
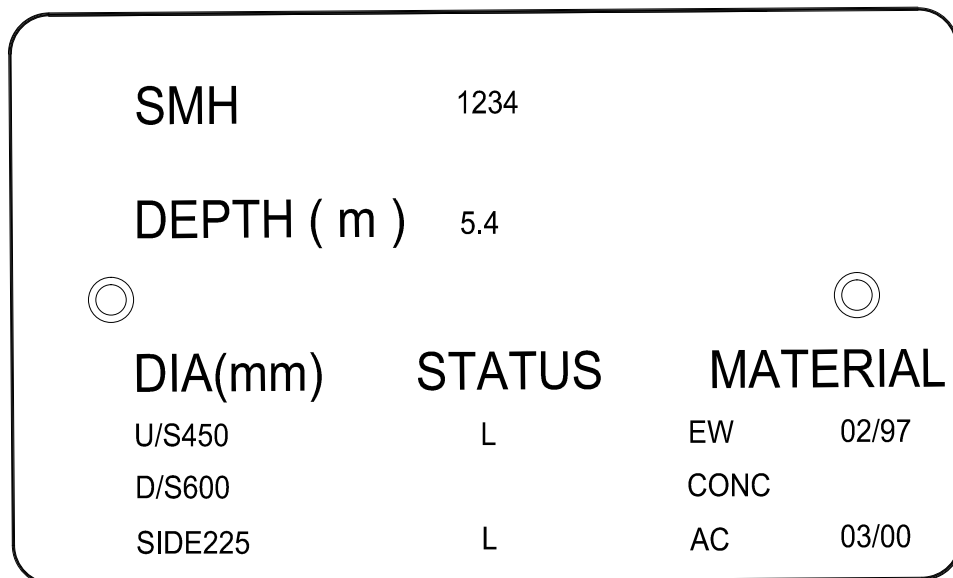


**BASIC ASSET IDENTIFICATION PLATE  
TO BE SUPPLIED BY RELEVANT AUTHORITY**



**TOP VIEW  
MANHOLE TYPE A**

**TOP VIEW  
MANHOLE TYPE B**



**EXAMPLE IDENTIFICATION PLATE WHEN AFFIXED TO MANHOLE SURROUND**

**NOTES**

- 3mm ALUMINIUM PLATE 125mm LONG x 75mm WIDE
- 6mm HOLES TO BE BORED IN PLATE.
- PLATES ARE TO BE FIXED TO THE CONCRETE SURFACE OF EACH SEWER MANHOLE USING MONEL(NON CORROSIVE ZINC ALLOY) METAL "SURE DRIVE" PINS 5mm x 22mm.
- ASSET NUMBER IS TO BE STAMPED ON TO THE PLATE ie SMH 1234
- DEPTH TO INVERT SHOWN AS 5.4 INDICATES THAT THE DEPTH OF THE MANHOLE (TOP OF MANHOLE AT EXISTING SURFACE LEVEL TO INVERT LEVEL BEING THE INTERNAL BASE)
- DIAMETER OF PIPE TO BE SHOWN ie U/S450 INDICATES 450mm BORE UPSTREAM, D/S600 INDICATES 600mm BORE DOWNSTREAM, SIDE225 INDICATES 225mm BORE SIDE LINE ENTERING PIT ALSO
- MATERIAL TO BE SHOWN AS CONCRETE = CONC EARTHENWARE = EW ASBESTOS CEMENT = AC PLASTIC= PVC
- STATUS IF PIPE HAS BEEN LINED IT IS TO BE INDICATED BY THE LETTER "L"
- DATE MONTH AND YEAR THAT PIPE WAS LINED IS ie 02/97 = FEB 1997
- CI MANHOLES IN ROAD - PLATES TO BE AFFIXED TO UNDER SIDE OF COVER
- ALL DIMENSIONS IN MILLIMETRES

**APPLICABILITY TABLE**

Council	BSC	CHRC	GRC	IRC	LSC	MRC	RRC
Applicable	Yes	Yes	Yes	Yes	No	Yes	No
Applicable DWG							

REVISIONS	DATE
D IRC ADDED	11/2016
C GRC AND LSC ADDED	09/2014
B RRC AMENDMENTS	04/2010
A POST AMALGAMATION REVIEW	01/2010

**DISCLAIMER.**  
The authors and sponsoring organisations shall have no liability or responsibility to the user or any other person or entity with respect to any liability, loss or damage caused or alleged to be caused, directly or indirectly, by the adoption and use of these Standard Drawings including, but not limited to, any interruption of service, loss of business or anticipatory profits, of consequential damages resulting from the use of these Standard Drawings. Persons must not rely on these Standard Drawings as the equivalent of, or a substitute for, project-specific design and assessment by an appropriately qualified professional.

**Capricorn Municipal Development Guidelines**

Incorporating:  
Banana Shire Council (BSC) Livingstone Shire Council (LSC)  
Central Highlands Regional Council (CHRC) Maranoa Regional Council (MRC)  
Gladstone Regional Council (GRC) Rockhampton Regional Council (RRC)  
Isaac Regional Council (IRC)

**ASSET IDENTIFICATION PLATE FOR  
EXISTING SEWER MANHOLES**

ROADS				
STANDARD DRAWING				
CMDG-S-028				
REV.	A	B	C	D