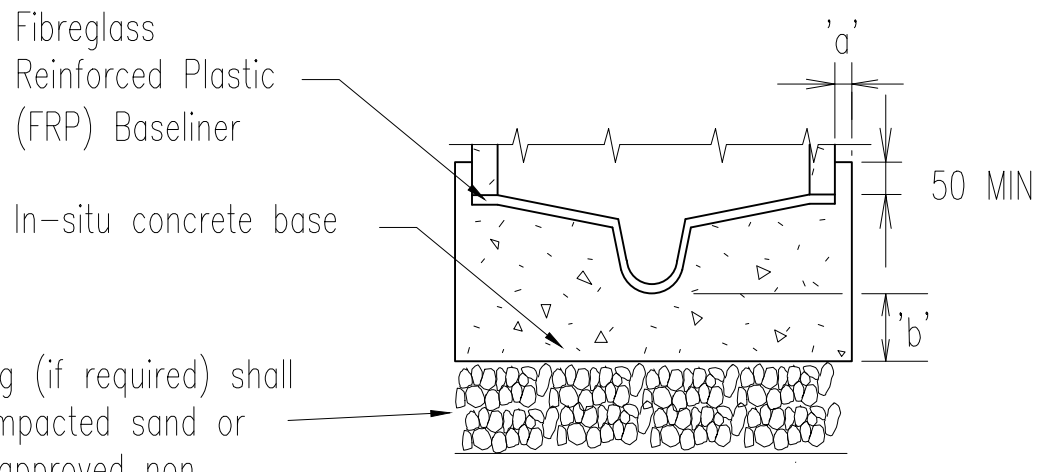


TYPICAL LAYOUT

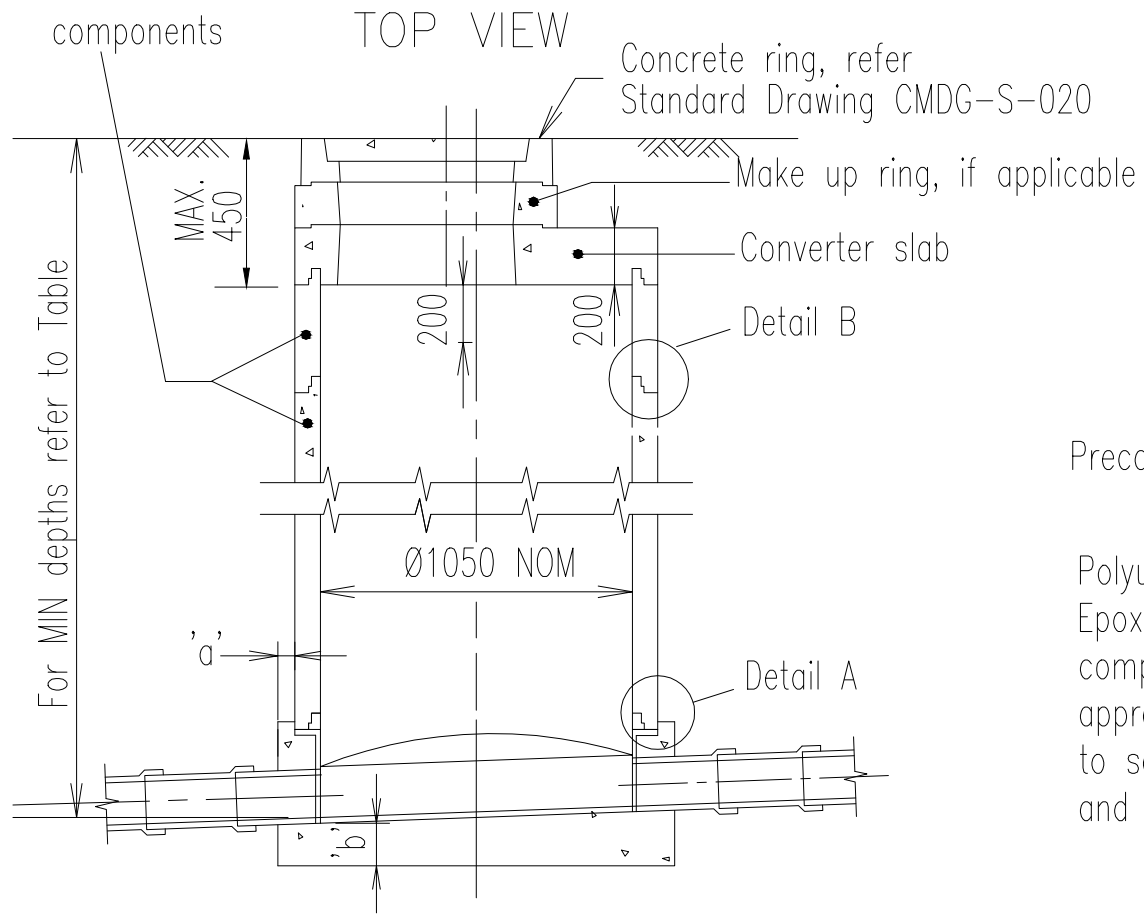


BASELINER

CRITICAL DIMENSIONS		
Depth to outlet invert	Thickness	
	a	b
Minimum to 3000	150	150
3000 to 6000	225	300

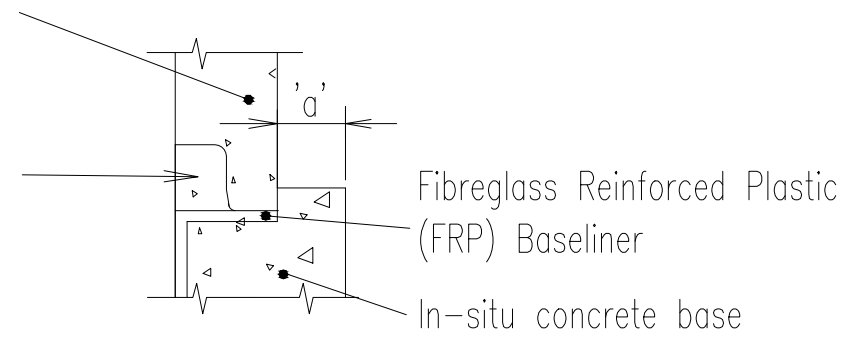
NOTES

- Minimum fall through chambers shall be in accordance with standard sewer manhole base detail drawing CMDG-S-005. Squat cones shall be in non-trafficable areas.
- Concrete shall be -
 - Class N32 for in-situ concrete.
 - Class N40 for pre-cast segments.
 both in accordance with AS 1379 and AS 3600.
- All fasteners shall be Grade AS2837/316 stainless steel. Unless otherwise noted, fasteners shall be as described below.
 - Fixing to concrete - bolts shall be approved anchors.
 - Fixing to metalwork - bolts shall be HEX head bolts.
- Nylon or polythene separation inserts shall be used between stainless steel fasteners and aluminium sections.
- Anti-galling lubricant "Loctite 222 or 567" or similar shall be used on all threads and between all stainless steel abutting surfaces.
- Aluminium surfaces in contact with concrete shall be painted with two coats of alkali resistant bituminous paint.
- uPVC or GRP pipes cast into walls shall be coated or sanded for the length of wall penetration to ensure bonding.
- Deleted.
- ACCESS - Ladders or steps are not required.
- Alternative converter slab designed to Austroads W7 wheel load, dynamic factor 0.4. Precast converter slabs must be designed to same standards.
- All dimensions in millimetres.
- Squat cones shall be used in non traffic areas.



DETAIL A

Precast chamber
Polyurethane or Epoxy sealing compound or approved Sealant to seal Baseline and Chamber



APPLICABILITY TABLE							
Council	BSC	CHRC	GRC	IRC	LSC	MRC	RRC
Applicable	Yes	Yes	Yes	Yes	Yes	Yes	Yes
Applicable DWG							

REVISIONS	DATE
F IRC ADDED	11/2016
E NOTE 8 DELETED (PRECAST CHAMBERS)	10/2016
D GRC AND LSC ADDED	01/2015
C REPLACED DRAWING REGISTER	02/2013
B BASELINER CONSTRUCTION_RRC	12/2010
A POST AMALGAMATION REVIEW	10/2003

DISCLAIMER.
The authors and sponsoring organisations shall have no liability or responsibility to the user or any other person or entity with respect to any liability, loss or damage caused or alleged to be caused, directly or indirectly, by the adoption and use of these Standard Drawings including, but not limited to, any interruption of service, loss of business or anticipatory profits, of consequential damages resulting from the use of these Standard Drawings. Persons must not rely on these Standard Drawings as the equivalent of, or a substitute for, project-specific design and assessment by an appropriately qualified professional.

Capricorn Municipal Development Guidelines
Incorporating:
Banana Shire Council (BSC) Livingstone Shire Council (LSC)
Central Highlands Regional Council (CHRC) Maranoa Regional Council (MRC)
Gladstone Regional Council (GRC) Rockhampton Regional Council (RRC)
Isaac Regional Council (IRC)

ACCESS CHAMBERS
1050mm NOM. DIA.
BASELINER CONSTRUCTION

SEWERAGE					
STANDARD DRAWING					
CMDG-S-024					
REV.	A	B	C	D	E