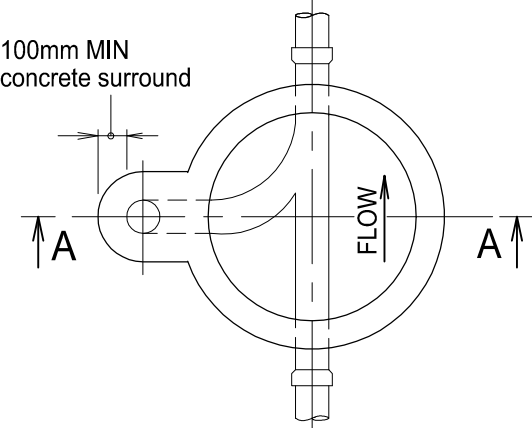


SECTION A - A

SECTION B - B

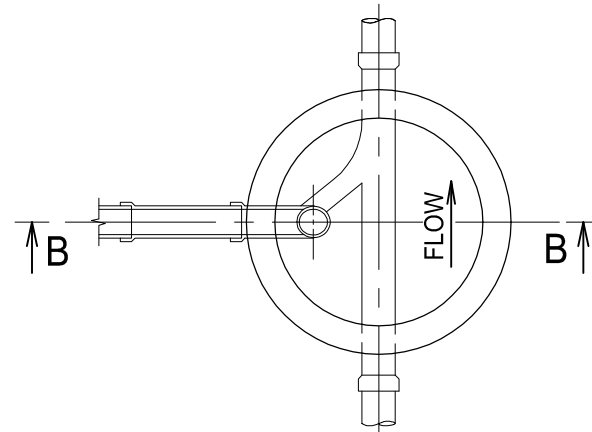
SECTION C - C  
SHORT SLOPE DROP

SECTION C - C  
BENCHING ONLY



PLAN  
**EXTERNAL VERTICAL DROP**

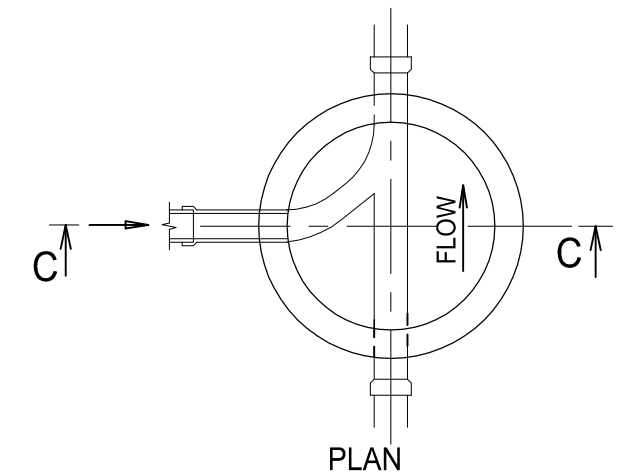
Only to be used where approved or ordered by Service Authority



PLAN  
**INTERNAL VERTICAL DROP**

| PIPE DIA D | CHAMBER DROP 'H' |                  |               |
|------------|------------------|------------------|---------------|
|            | Normal Benching  | Short Slope Drop | Vertical Drop |
| 100        | Under 250        | 350 to 600       | over 600      |
| 150        | Under 250        | 400 to 700       | over 700      |
| 225        | Under 300        | 500 to 800       | over 800      |
| 300        | Under 350        | 650 to 1000      | over 1000     |

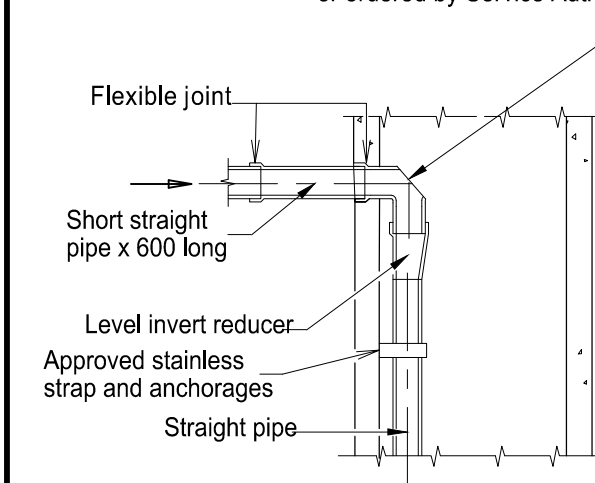
| PIPE DIA D | Drop Junction |     |     |
|------------|---------------|-----|-----|
|            | l             | m   | n   |
| 100        | 380           | 225 | 300 |
| 150        | 380           | 225 | 300 |
| 225        | 420           | 350 | 425 |
| 300        | 450           | 450 | 525 |



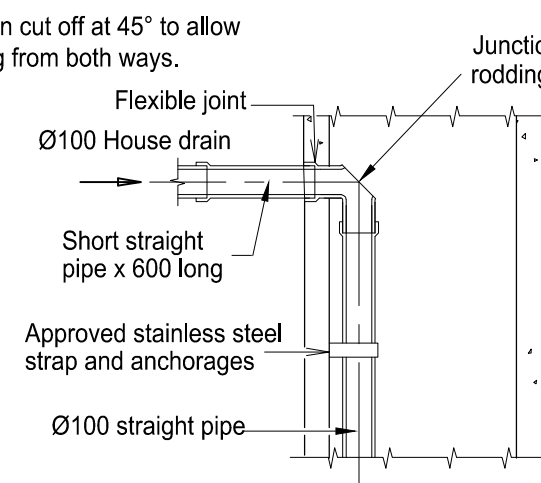
PLAN

**NOTES**

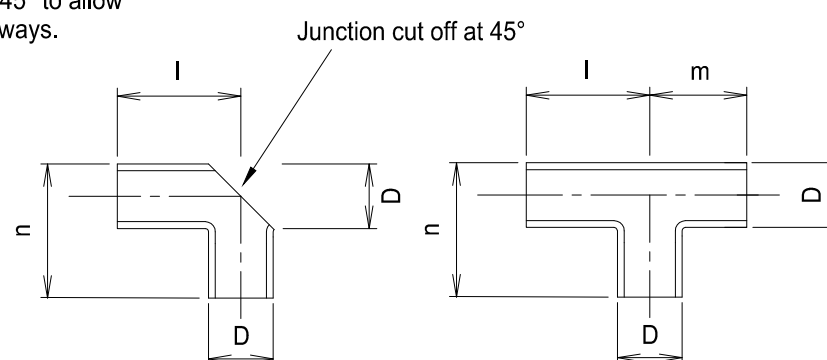
- Minimum drop 'h' shall be in accordance with Standard sewer manhole base detail drawing CMDG-S-027.
- Unless otherwise approved for particular types of sewer pipe used or particular site conditions, short pipes (600mm MAX) to be flexibly jointed to all sections bedded on or surrounded with concrete.
- All benching to be 1 in 5 MIN.
- Internal uPVC drops to be one size smaller than branch sewer for all sizes greater than 150.
- 100mm internal uPVC drop to be provided where house drain connection is well above chamber invert.
- Refer Standard Drawing CMDG-S-020 for 1050 NOM. access chamber insitu construction details.
- Vertical and short slope drops to be formed using special pipes and standard fittings with couplings & sealing rings.
- All dimensions in millimetres.



SECTION SEWER



SECTION HOUSE DRAIN



INTERNAL

EXTERNAL

DROP JUNCTION PIPE  
**SPECIAL PIPES**

**ALTERNATIVE CONNECTIONS**

| APPLICABILITY TABLE |     |      |     |     |     |     |     |
|---------------------|-----|------|-----|-----|-----|-----|-----|
| Council             | BSC | CHRC | GRC | IRC | LSC | MRC | RRC |
| Applicable          | Yes | Yes  | Yes | Yes | Yes | Yes | Yes |

| REVISIONS                      | DATE    |
|--------------------------------|---------|
| F IRC ADDED                    | 11/2016 |
| E GRC AND LSC ADDED            | 02/2014 |
| D INSPECTION OPENING ADDED     | 04/2013 |
| C REMOVE TAPER TO DROP         | 02/2013 |
| DELETE NOTE RE: INTERNAL DROPS |         |
| B RRC AMENDMENTS               | 05/2011 |
| A ORIGINAL ISSUE               | 01/2010 |

**DISCLAIMER.**  
The authors and sponsoring organisations shall have no liability or responsibility to the user or any other person or entity with respect to any liability, loss or damage caused or alleged to be caused, directly or indirectly, by the adoption and use of these Standard Drawings including, but not limited to, any interruption of service, loss of business or anticipatory profits, of consequential damages resulting from the use of these Standard Drawings. Persons must not rely on these Standard Drawings as the equivalent of, or a substitute for, project-specific design and assessment by an appropriately qualified professional.

**Capricorn Municipal Development Guidelines**  
Incorporating:  
Banana Shire Council (BSC) Livingstone Shire Council (LSC)  
Central Highlands Regional Council (CHRC) Maranoa Regional Council (MRC)  
Gladstone Regional Council (GRC) Rockhampton Regional Council (RRC)  
Isaac Regional Council (IRC)

**ACCESS CHAMBERS  
ALTERNATIVE DROPS  
INSITU CONSTRUCTION**

ROADS  
**STANDARD  
DRAWING  
CMDG-S-023**  
REV. A B C D E F