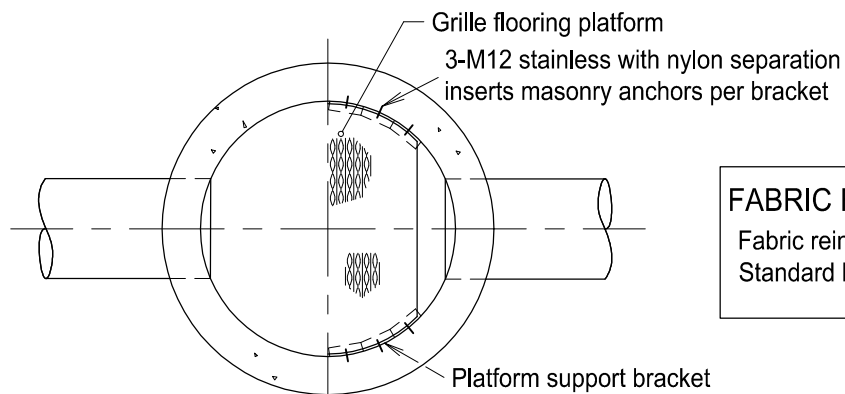
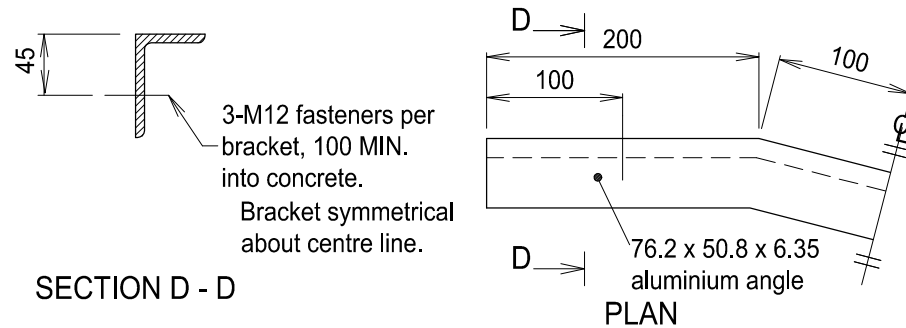


PLAN



SECTION B - B

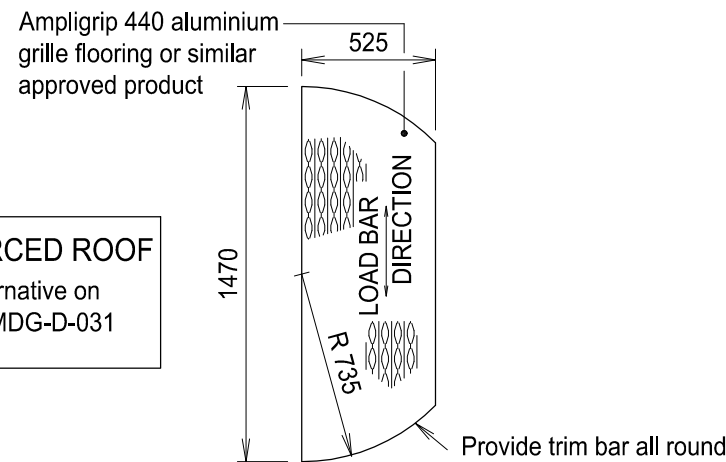
**FABRIC REINFORCED ROOF**  
Fabric reinforced alternative on Standard Drawing CMDG-D-031



SECTION D - D

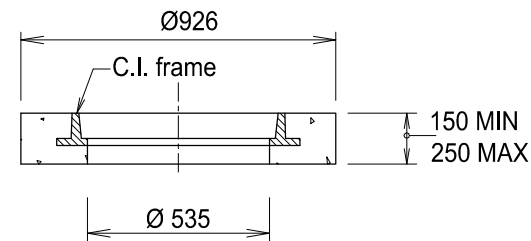
PLAN

**GRILLE PLATFORM SUPPORT BRACKET**

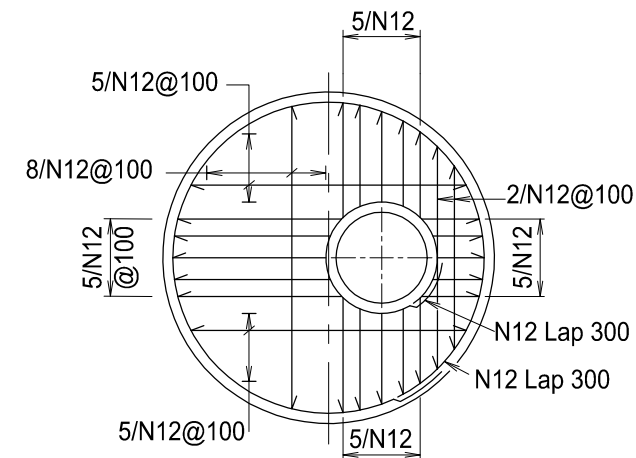


**GRILLE FLOORING DETAILS**

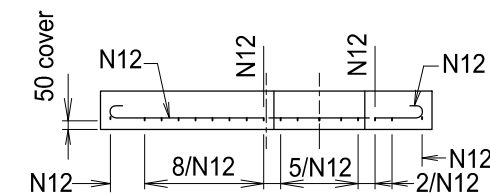
PROVIDE 4 NO APPROVED STAINLESS STEEL RETAINING CLIPS



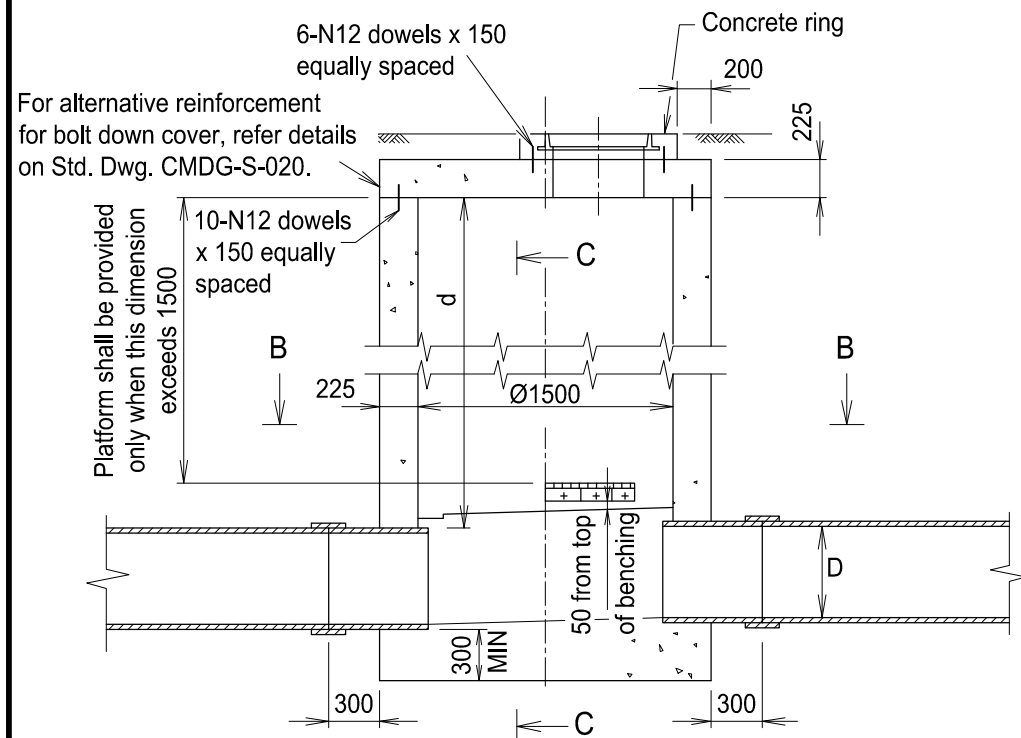
SECTIONAL ELEVATION  
**CONCRETE RING**



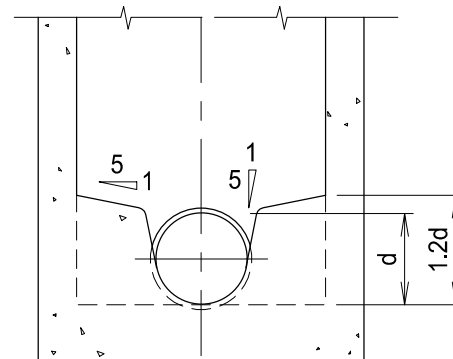
PLAN



SECTIONAL ELEVATION  
**ROOF SLAB REINFORCEMENT**



SECTION A - A



SECTION C - C

**NOTES:**

1. Minimum fall through chambers shall be in accordance with standard sewer manhole base detail drawing CMDG-S-024.
2. Concrete N32 in accordance with AS 1379 and AS 3600.
3. All fasteners Grade AS 2837/316 stainless steel.
4. Nylon or polythene separation inserts shall be used between stainless steel fasteners & aluminium sections.
5. Anti-galling lubricant "Loctite 222 or 567" or similar shall be used on all threads and between all stainless steel abutting surfaces.
6. Aluminium surfaces in contact with concrete shall be painted with two coats of alkali resistant bituminous paint.
7. uPVC or GRP pipes cast into chamber walls shall be coated or sanded for the length of wall penetration to ensure bonding.
8. Unless noted otherwise angles, bars and tubes shall be aluminium alloy 6061 T6 to AS1664.
9. Provide 2 NO safety bars at 300 centres for outlet pipes larger than Ø600.
10. Wall thickness for chamber greater than 6.0m deep should be design specific.
11. Reinforcement. N Bars to AS 1302. Fabric to AS 1304.
12. Deleted.
13. Roof design based on Austroads W7 wheel load, dynamic factor 0.4.
14. All dimensions in millimetres.

APPLICABILITY TABLE

Council	BSC	CHRC	GRC	IRC	LSC	MRC	RRC
Applicable	Yes	Yes	Yes	Yes	Yes	Yes	Yes
Maximum internal drops per 1500Ø access chamber	2	1	1	1	2	1	2

REVISIONS	DATE
H REINFORCING DETAILS AMENDED	12/2017
G IRC ADDED	11/2016
F NOTE 1, DRAWING REFERENCE AMENDED	10/2016
E NOTE 12 DELETED	03/2015
D GRC AND LSC ADDED	09/2014
C APPLICABILITY CHANGES	01/2013
B RRC AMENDMENTS	05/2011
A ORIGINAL ISSUE	01/2010

**DISCLAIMER.**  
The authors and sponsoring organisations shall have no liability or responsibility to the user or any other person or entity with respect to any liability, loss or damage caused or alleged to be caused, directly or indirectly, by the adoption and use of these Standard Drawings including, but not limited to, any interruption of service, loss of business or anticipatory profits, of consequential damages resulting from the use of these Standard Drawings. Persons must not rely on these Standard Drawings as the equivalent of, or a substitute for, project-specific design and assessment by an appropriately qualified professional.

**Capricorn Municipal Development Guidelines**

Incorporating:  
Banana Shire Council (BSC) Livingstone Shire Council (LSC)  
Central Highlands Regional Council (CHRC) Maranoa Regional Council (MRC)  
Gladstone Regional Council (GRC) Rockhampton Regional Council (RRC)  
Isaac Regional Council (IRC)

**ACCESS CHAMBERS  
1500mm NOM. DIA.  
INSITU CONSTRUCTION**

ROADS						
STANDARD DRAWING CMDG-S-022						
REV.	A	B	C	D	E	F
REV.	G	H				