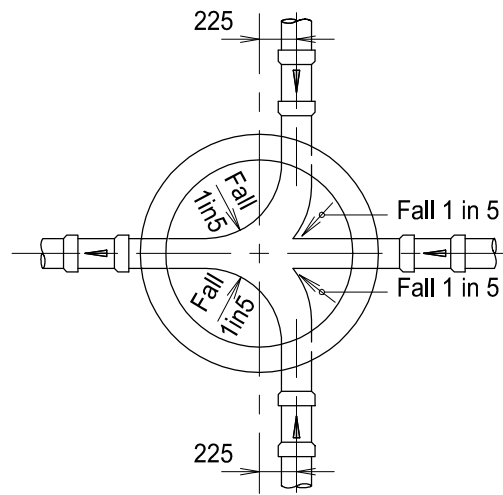
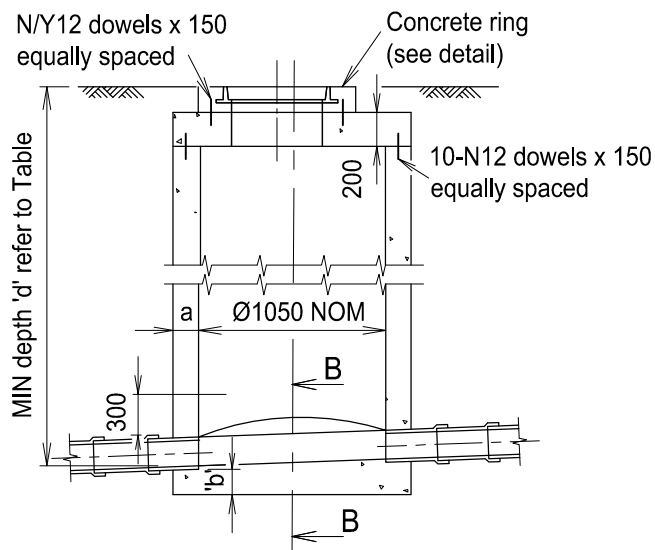


PLAN

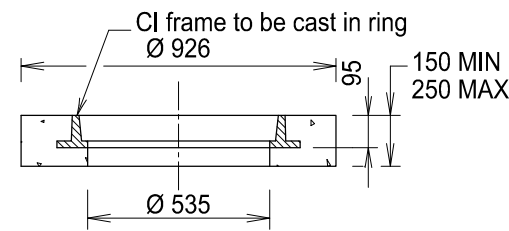


SECTIONAL PLAN

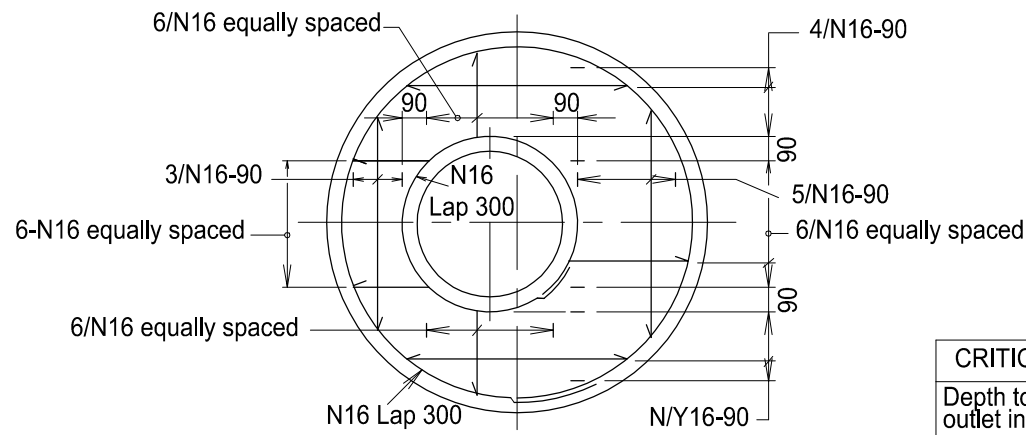
TYPICAL LAYOUT OF CHANNELS



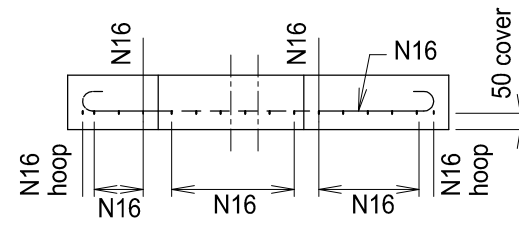
SECTION A - A



SECTIONAL ELEVATION
CONCRETE RING

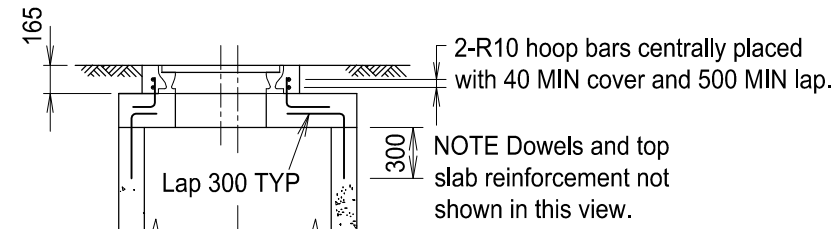


PLAN



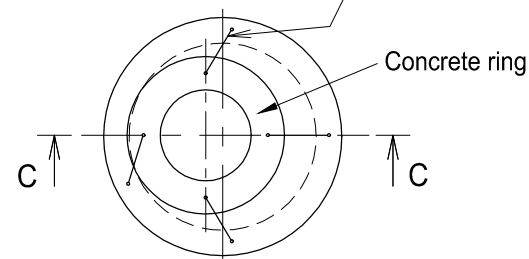
SECTIONAL ELEVATION
TOP SLAB REINFORCEMENT

Refer Standard Drawing CMDG-S-021
for alternative top slab reinforcement



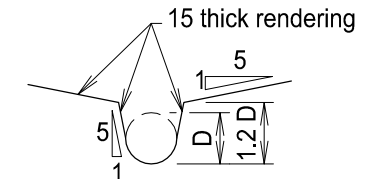
SECTION C - C

4 - N12 bars equally spaced on centre line
of concrete ring with 40 cover to top of hook.
(Top of bar to be hooked around 4d pin by
approved method).



TOP VIEW

REINFORCEMENT FOR
BOLT DOWN COVER



SECTION B - B

CRITICAL DIMENSIONS		
Depth to outlet invert	Thickness	
	'a'	'b'
Minimum to 3000	150	150
3000 to 6000	225	300

MINIMUM DEPTHS	
Outlet Ø	Minimum Depth 'd'
Ø150	1500 + (Type A fall - 100)
Ø225	1575 + (Type A fall - 100)
Ø300	1650 + (Type A fall - 100)
Ø375	1725 + (Type A fall - 100)

PIPE SIZE	INLET DROP - DEPTH RANGE ☆					
	V C PIPE			uPVC PIPE		
	TYPE A	TYPE B	TYPE C	TYPE A	TYPE B	TYPE C
Ø150	40 to 300	300 to 600	over 350	40 to 300	300 to 600	over 600
Ø225	40 to 300	500 to 800	over 550	40 to 300	500 to 1000	over 1000
Ø300	40 to 300	600 to 900	over 700	40 to 300	600 to 1500	over 1500
Ø375	40 to 300	700 to 1000	over 900	40 to 300	1000 to 2100	over 2100

LEGEND

● Length of pipe shall be 3 x DIA of pipe

☆ For details of Inlet drop types refer drawing SD-S-021.

NOTES:

- Minimum fall through chambers shall be in accordance with standard sewer manhole base detail drawing CMDG-S-005.
- Concrete N32 in accordance with AS 1379 and AS 3600.
- All fasteners shall be Grade AS 2837/316 stainless steel. Unless otherwise noted, fasteners shall be as described below.
 - Fixing to concrete - bolts shall be approved anchors.
 - Fixing to metalwork - bolts shall be HEX head bolts.
- Nylon or polythene separation inserts shall be used between stainless steel fasteners and aluminium sections.
- Anti-galling lubricant "Loctite 222 or 567" or similar shall be used on all threads and between all stainless steel abutting surfaces.
- Aluminium surfaces in contact with concrete shall be painted with two coats of alkali resistant bituminous paint.
- uPVC or GRP pipes cast into access chamber wall shall be coated or sanded for the length of wall penetration to ensure bonding.
- ACCESS - Ladders or steps are not required.
- Roof design to Austroads W7 wheel load, dynamic factor 0.4.
- All dimensions in millimetres.

APPLICABILITY TABLE

Council	BSC	CHRC	GRC	IRC	LSC	MRC	RRC
Applicable	Yes	Yes	Yes	Yes	Yes	Yes	Yes

REVISIONS	DATE
F REINFORCING DETAILS AMENDED	12/2017
E IRC ADDED	11/2016
D AMEND DRAWING REFERENCE NOTE 1	10/2016
C GRC AND LSC ADDED	11/2014
B RRC AMENDMENTS	05/2011
A POST AMALGAMATION REVIEW	01/2010

DISCLAIMER.
The authors and sponsoring organisations shall have no liability or responsibility to the user or any other person or entity with respect to any liability, loss or damage caused or alleged to be caused, directly or indirectly, by the adoption and use of these Standard Drawings including, but not limited to, any interruption of service, loss of business or anticipatory profits, of consequential damages resulting from the use of these Standard Drawings. Persons must not rely on these Standard Drawings as the equivalent of, or a substitute for, project-specific design and assessment by an appropriately qualified professional.

Capricorn Municipal Development Guidelines
Incorporating:
Banana Shire Council (BSC) Livingstone Shire Council (LSC)
Central Highlands Regional Council (CHRC) Maranoa Regional Council (MRC)
Gladstone Regional Council (GRC) Rockhampton Regional Council (RRC)
Isaac Regional Council (IRC)

ACCESS CHAMBERS
1050mm NOM. DIA.
INSITU CONSTRUCTION

ROADS
STANDARD
DRAWING
CMDG-S-020
REV. A B C D E F