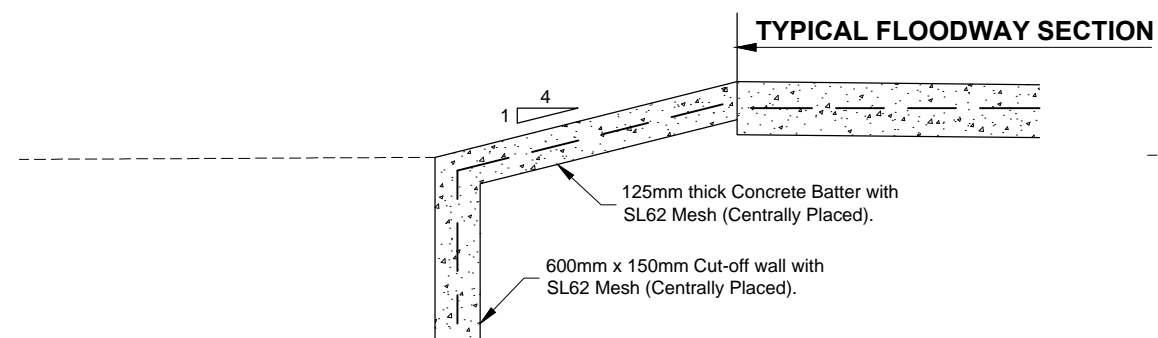
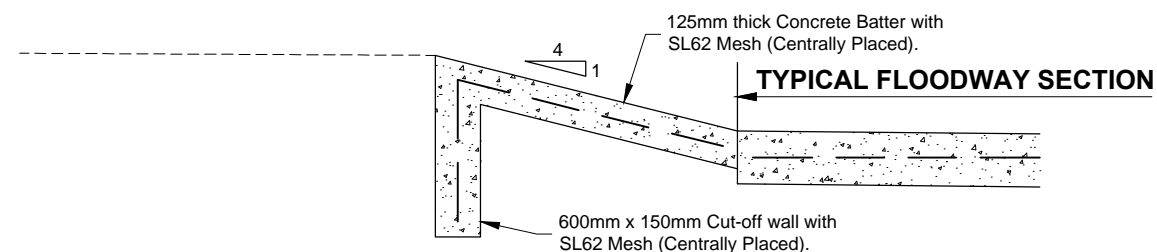


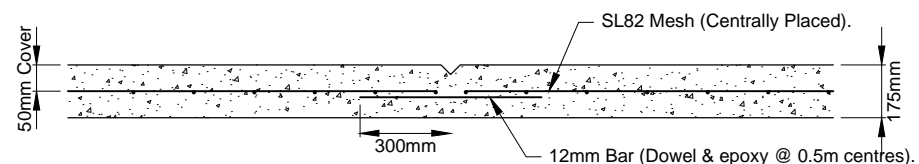
TYPICAL SECTION
Scale 1: 50



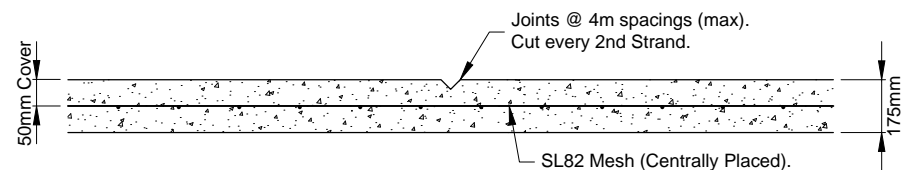
EDGE PROTECTION - FILL SITUATION
Scale 1: 25



EDGE PROTECTION - CUT SITUATION
Scale 1: 25



LONGITUDINAL CONSTRUCTION JOINT
Scale 1: 25



TRANSVERSE JOINT
Scale 1: 25

NOTES:

1. Provide Transverse joints at 4.0m spacings.
2. Provide longitudinal joints at centreline for two-lane floodway.
3. Provide longitudinal joints at shoulder where edge-protection is required.
4. Concrete strength to be 32 MPa.
5. Lap Reinforcement fabric 250mm.
6. Floodway signage to be installed in accordance with MUTCD (Part 2, Figure 4.27).
7. Delineation to be installed on floodway shoulder at maximum 5m centres and spaced evenly to suit floodway length. Delineation to be installed at centreline of two-lane floodway.
8. Floodway depth markers to be installed at lowest point on floodway aligned to downstream side.

WATERWAY BARRIER WORKS - COMPLIANCE NOTES:

1. Floodway site to be checked on Queensland Government Spatial Data Layer "Queensland Waterways for Waterway Barrier Works" to determine if assessable or self-assessable codes apply.
2. The lowest level of the floodway must be installed at the level of lowest point of the natural stream bed (Within the footprint of the crossing.)
3. There must be a height difference of at least 100mm from the lowest point of the crossing to the edges of the low flow section of the crossing.
4. The level of the remainder of the crossing must be no higher than the lowest point of the natural stream bed outside of the low flow channel.
5. Refer to Code for self-assessable development, Minor waterway barrier works, Part 4: Bed level crossings for more information and alternative treatments.

APPLICABILITY TABLE							
Council	BSC	CHRC	GRC	IRC	LSC	MRC	RRC
Applicable	Yes	Yes	Yes	No	Yes	Yes	Yes
Applicable DWG	CMDG-R-094A						

REVISIONS	DATE
B IRC ADDED	12/2016
A ORIGINAL ISSUE	04/2016

DISCLAIMER.
The authors and sponsoring organisations shall have no liability or responsibility to the user or any other person or entity with respect to any liability, loss or damage caused or alleged to be caused, directly or indirectly, by the adoption and use of these Standard Drawings including, but not limited to, any interruption of service, loss of business or anticipatory profits, of consequential damages resulting from the use of these Standard Drawings. Persons must not rely on these Standard Drawings as the equivalent of, or a substitute for, project-specific design and assessment by an appropriately qualified professional.

Capricorn Municipal Development Guidelines

Incorporating:
Banana Shire Council (BSC) Livingstone Shire Council (LSC)
Central Highlands Regional Council (CHRC) Maranoa Regional Council (MRC)
Gladstone Regional Council (GRC) Rockhampton Regional Council (RRC)
Isaac Regional Council (IRC)

**FLOODWAY –
BED LEVEL CROSSING**

ROADS	
STANDARD DRAWING	
CMDG-R-094	
REV.	A B