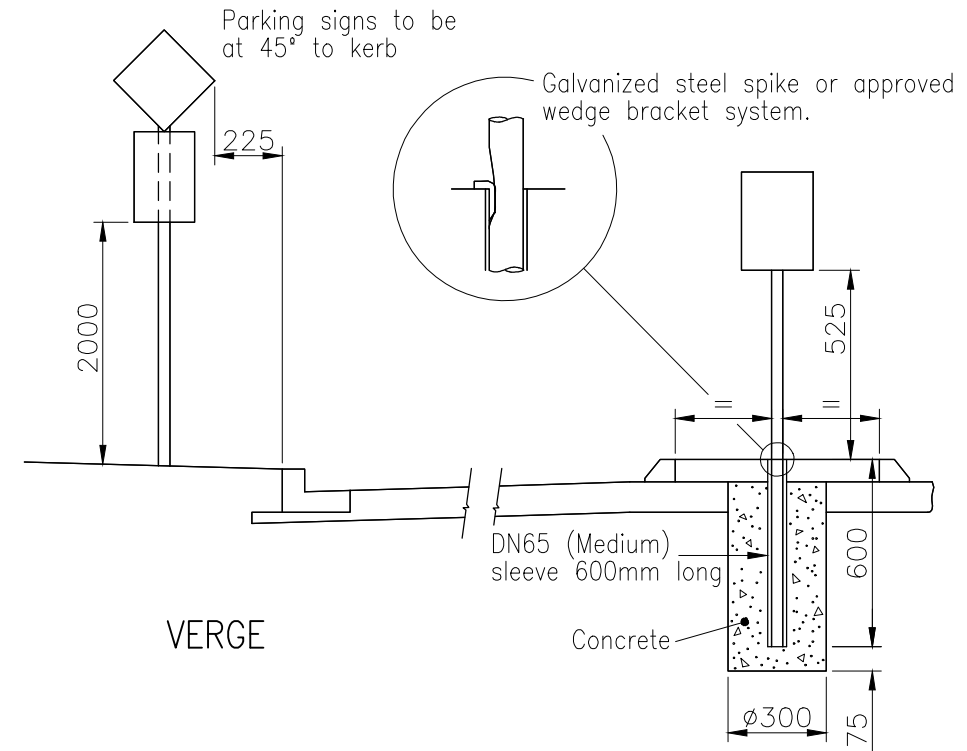


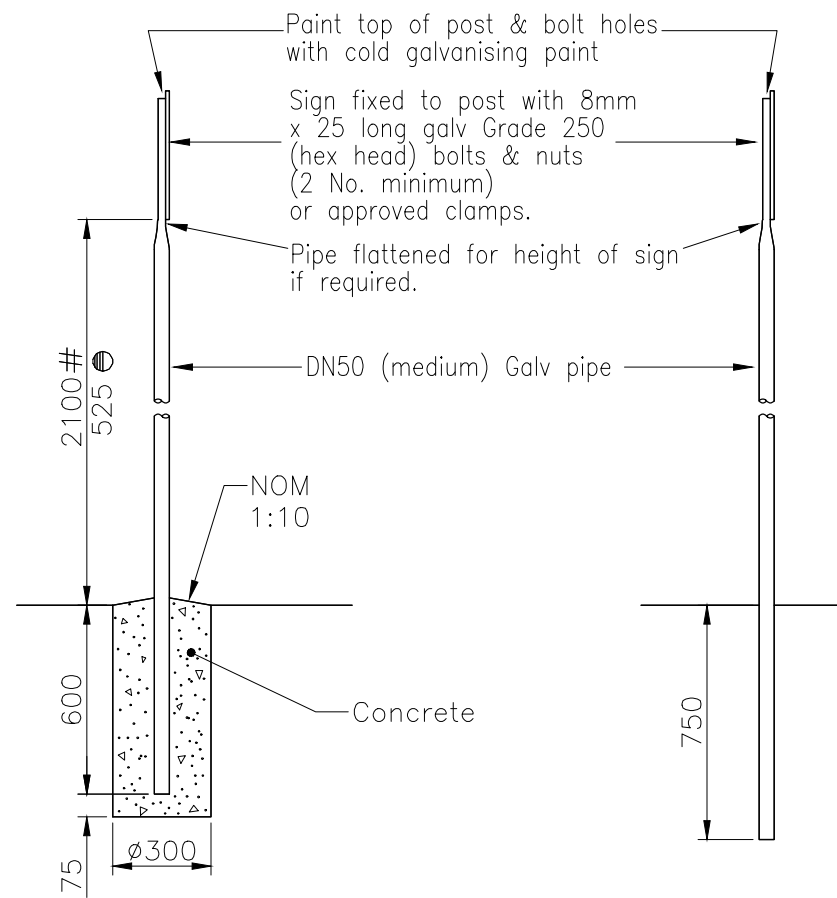
LOCATION OF SIGNS – RURAL ROADS



VERGE

MEDIAN

LOCATION OF SIGNS – STREETS



STREETS

RURAL ROADS

NOTES:

1. All signs to be reflectorised Class 1 to AS1743 unless noted otherwise.
2. Size & sign type has been included in the schedule and/or in the project drawings. Special standards are to be provided at large signs when indicated in the project drawings.
3. All signs are to be approved by the Superintendent prior to erection.
4. Where signs are to be erected in streets where footpaths are not constructed to permanent levels the Rural Roads type base shall be adopted.
5. Signs shall be out of aluminium or aluminium alloy not less than 2mm thick to AS 2848.
6. The DN65 sleeve and spike shall only be used on medians.
7. All pipes to be galvanised. Steel pipe to AS 1074. Galvanising to AS/NZS 4680.
8. Concrete N25 in accordance with AS 1379 and AS 3600.
9. Hexagonal head bolts to AS 1111. Nuts to AS 1112. Washers to AS 1237. Galvanizing to AS 1214.
10. All dimensions in millimetres.
11. Sleeve to be provided as directed by Council

LEGEND

- # on footpaths
- ⊗ As directed by the Superintendent
- ⊖ on medians

APPLICABILITY TABLE								
Council	BSC	CHRC	GRC	IRC	LSC	MRC	RRC	
Applicable	Yes	Yes	Yes	Yes	Yes	Yes	Yes	Yes

REVISIONS	DATE
E IRC ADDED	12/2016
D GRC AND LSC ADDED	09/2014
C MRC ADDED	04/2011
B NOTE 11 ADDED	07/2010
A POST AMALGAMATION REVIEW	01/2010

DISCLAIMER.
The authors and sponsoring organisations shall have no liability or responsibility to the user or any other person or entity with respect to any liability, loss or damage caused or alleged to be caused, directly or indirectly, by the adoption and use of these Standard Drawings including, but not limited to, any interruption of service, loss of business or anticipatory profits, of consequential damages resulting from the use of these Standard Drawings. Persons must not rely on these Standard Drawings as the equivalent of, or a substitute for, project-specific design and assessment by an appropriately qualified professional.

Capricorn Municipal Development Guidelines

Incorporating:
Banana Shire Council (BSC) Livingstone Shire Council (LSC)
Central Highlands Regional Council (CHRC) Maranoa Regional Council (MRC)
Gladstone Regional Council (GRC) Rockhampton Regional Council (RRC)
Isaac Regional Council (IRC)

SIGN LOCATION AND INSTALLATION DETAILS

ROADS				
STANDARD DRAWING				
CMDG-R-081				
REV.	A	B	C	D