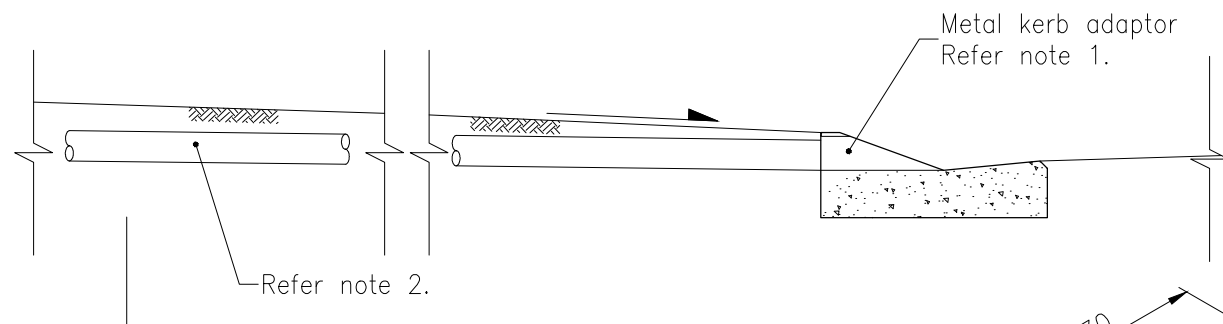
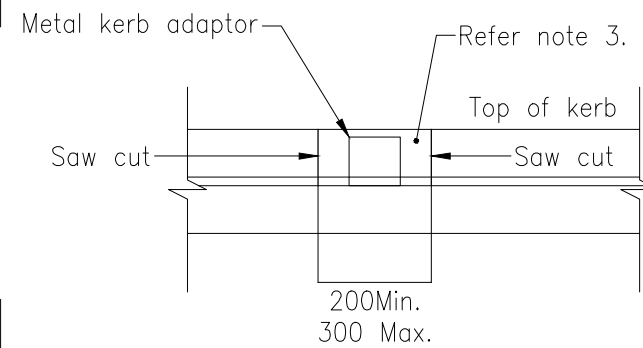


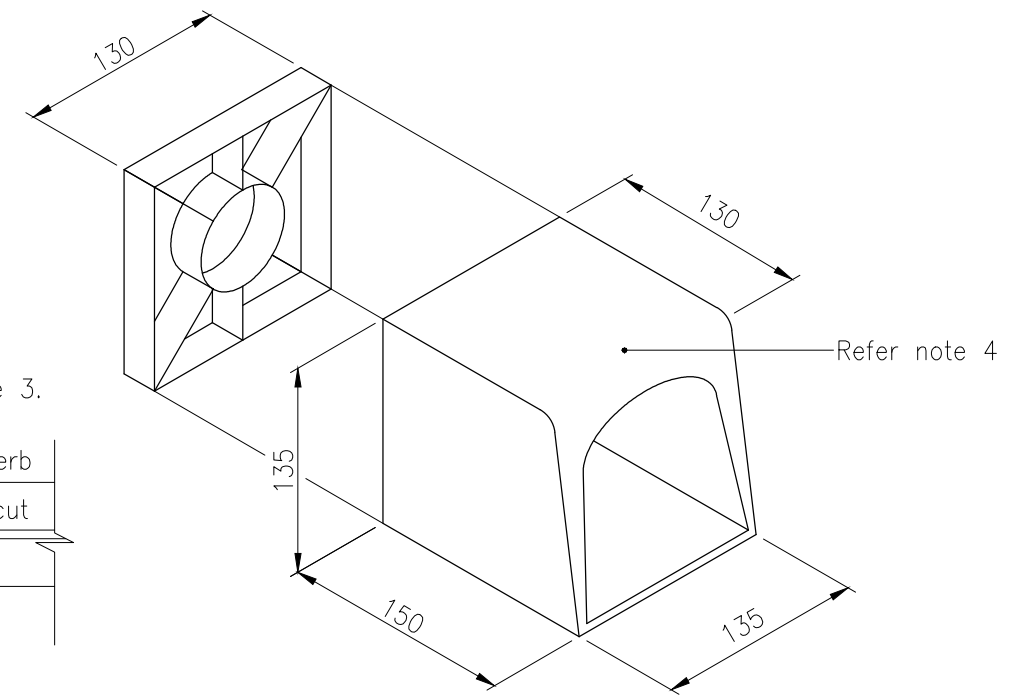
SECTIONAL ELEVATION  
BARRIER KERB AND CHANNEL



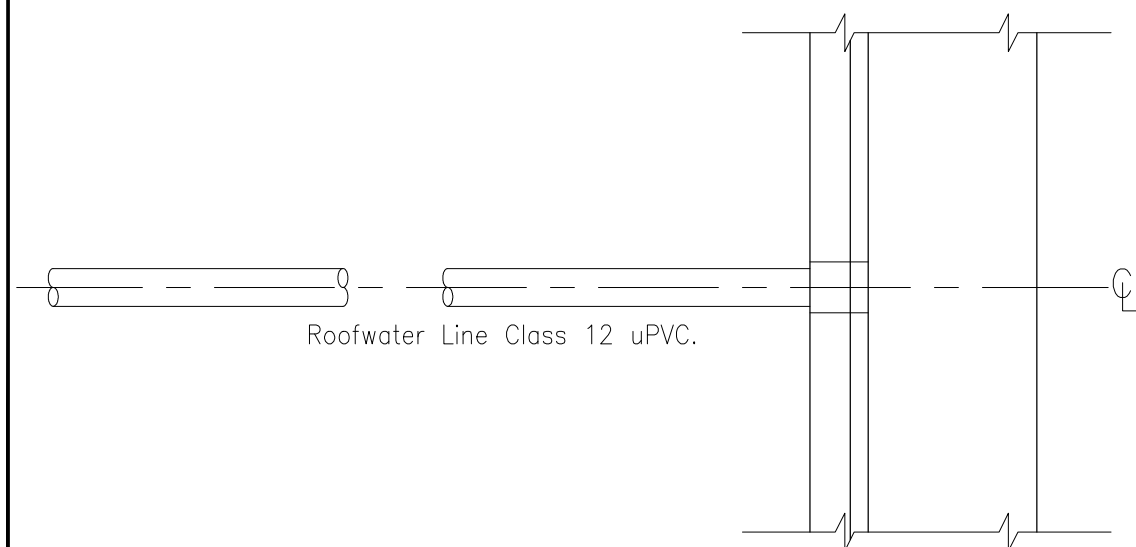
SECTIONAL ELEVATION  
MOUNTABLE KERB AND CHANNEL



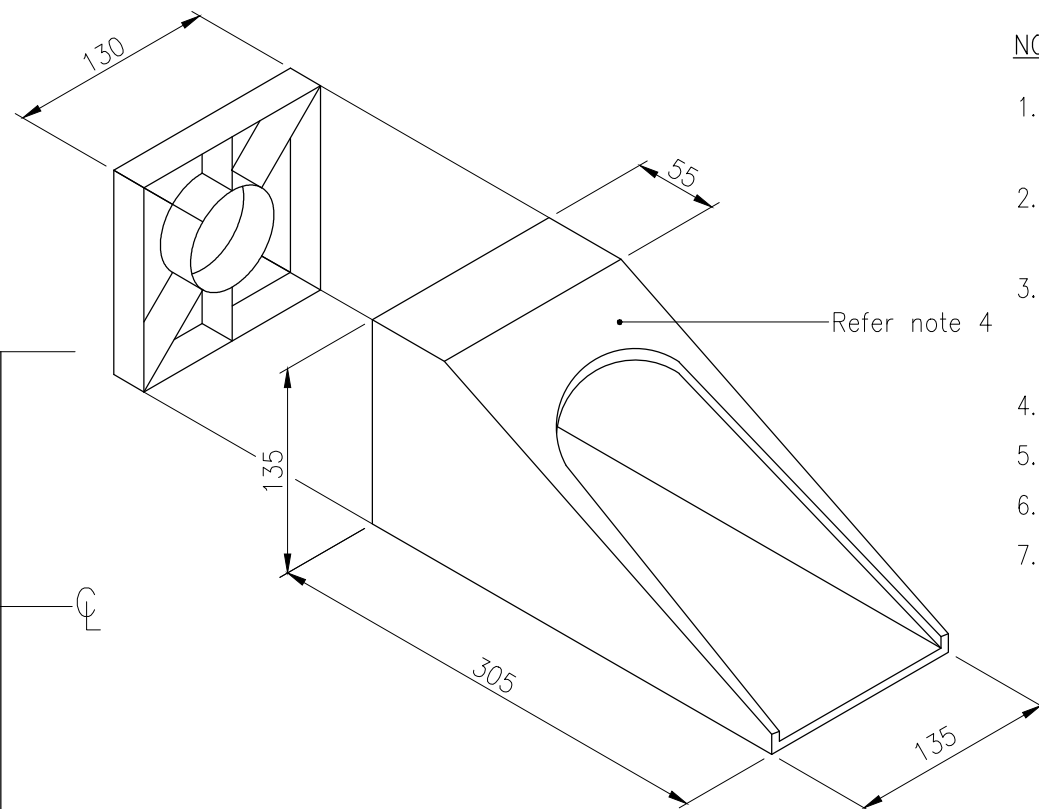
ELEVATION  
EXISTING KERB AND CHANNEL



BARRIER KERB ADAPTOR  
Typical only 90Ø and 100Ø Metal



PLAN



MOUNTABLE KERB ADAPTOR  
Typical only 90Ø and 100Ø Metal

**NOTES:**

1. Standard 90Ø or 100Ø metal adaptor to suit barrier or mountable type kerb and channel.
2. Pipe across footpath to be laid with the maximum available cover, and with a minimum grade of 1 in 100.
3. At existing kerb and channel, saw cut kerb as necessary. Reinstat with N32/10 concrete in accordance with AS 1379 and AS 3600 to clean concrete faces.
4. Use kerb adaptors that match the kerb profile.
5. Refer to project drawings/specification for option to be adopted.
6. At new developments seal inlet to adaptor.
7. All dimensions in millimetres.

**APPLICABILITY TABLE**

Council	BSC	CHRC	GRC	IRC	LSC	MRC	RRC
<b>Applicable</b>	Yes	Yes	Yes	Yes	Yes	Yes	Yes

REVISIONS	DATE
D IRC ADDED	12/2016
C GRC AND LSC ADDED	09/2014
B MRC ADDED	04/2011
A POST AMALGAMATION REVIEW	01/2010

**DISCLAIMER.**  
The authors and sponsoring organisations shall have no liability or responsibility to the user or any other person or entity with respect to any liability, loss or damage caused or alleged to be caused, directly or indirectly, by the adoption and use of these Standard Drawings including, but not limited to, any interruption of service, loss of business or anticipatory profits, of consequential damages resulting from the use of these Standard Drawings. Persons must not rely on these Standard Drawings as the equivalent of, or a substitute for, project-specific design and assessment by an appropriately qualified professional.

**Capricorn Municipal Development Guidelines**

Incorporating:  
Banana Shire Council (BSC) Livingstone Shire Council (LSC)  
Central Highlands Regional Council (CHRC) Maranoa Regional Council (MRC)  
Gladstone Regional Council (GRC) Rockhampton Regional Council (RRC)  
Isaac Regional Council (IRC)

**ROOFWATER KERB ADAPTORS**

ROADS
STANDARD DRAWING
CMDG-R-061
REV. A B C D