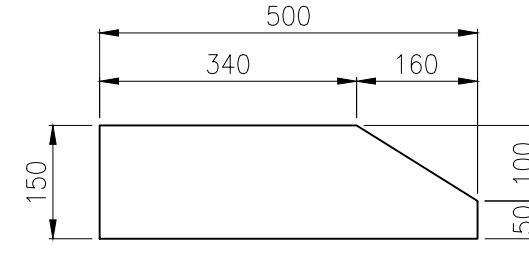
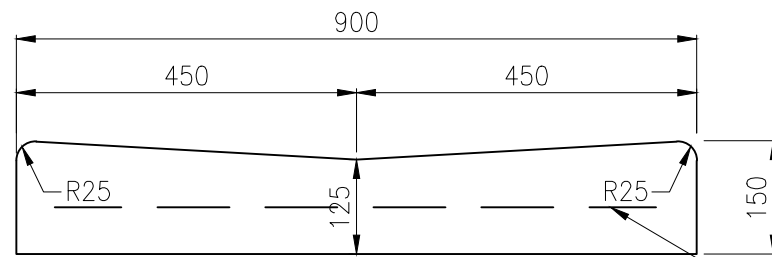


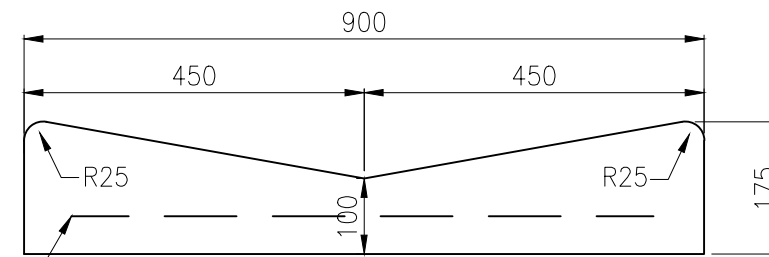
TYPE 4 – SEMI-MOUNTABLE KERB
Scale – 1:5



TYPE 5 – SEMI-MOUNTABLE KERB
Scale – 1:10

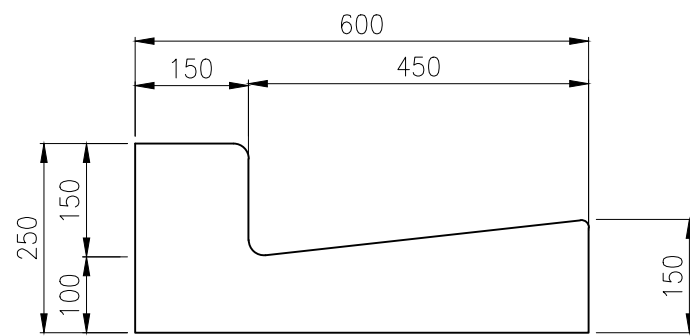


TYPE 7 – CONCRETE INVERT (900 WIDE)
Scale – 1:10

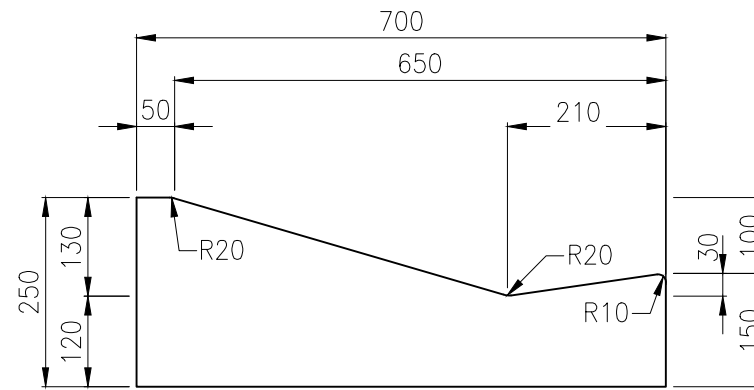


TYPE 8 – CONCRETE CHANNEL (900 WIDE)
Scale – 1:10

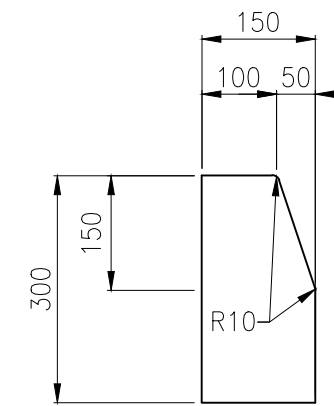
SL62 Centrally placed, concrete strength 32 MPa



BSC STANDARD BARRIER K&C PROFILE
Scale – 1:10



BSC STANDARD LAYBACK K&C PROFILE
Scale – 1:10



BSC NIB PROFILE
Scale – 1:10

STANDARD KERB/KERB & CHANNEL PROFILES
(Dimensions in millimetres)

APPLICABILITY TABLE							
Council	BSC	CHRC	GRC	IRC	LSC	MRC	RRC
Applicable	Yes	No	Yes	No	No	No	No
Applicable DWG	CMDG-R-060						

REVISIONS	DATE
F IRC ADDED	12/2016
E GRC APPLICABILITY AMENDED	05/2015
D GRC ADDED	11/2014
C MRC ADDED	04/2011
B MESH ADDED TO CONCRETE INVERTS	01/2011
A POST AMALGAMATION REVIEW	01/2010

DISCLAIMER.
The authors and sponsoring organisations shall have no liability or responsibility to the user or any other person or entity with respect to any liability, loss or damage caused or alleged to be caused, directly or indirectly, by the adoption and use of these Standard Drawings including, but not limited to, any interruption of service, loss of business or anticipatory profits, of consequential damages resulting from the use of these Standard Drawings. Persons must not rely on these Standard Drawings as the equivalent of, or a substitute for, project-specific design and assessment by an appropriately qualified professional.

Capricorn Municipal Development Guidelines
Incorporating:
Banana Shire Council (BSC) Livingstone Shire Council (LSC)
Central Highlands Regional Council (CHRC) Maranoa Regional Council (MRC)
Gladstone Regional Council (GRC) Rockhampton Regional Council (RRC)
Isaac Regional Council (IRC)

STANDARD KERB AND CHANNEL PROFILES

ROADS
STANDARD DRAWING
CMDG-R-060A
REV. | A | B | C | D | E | F