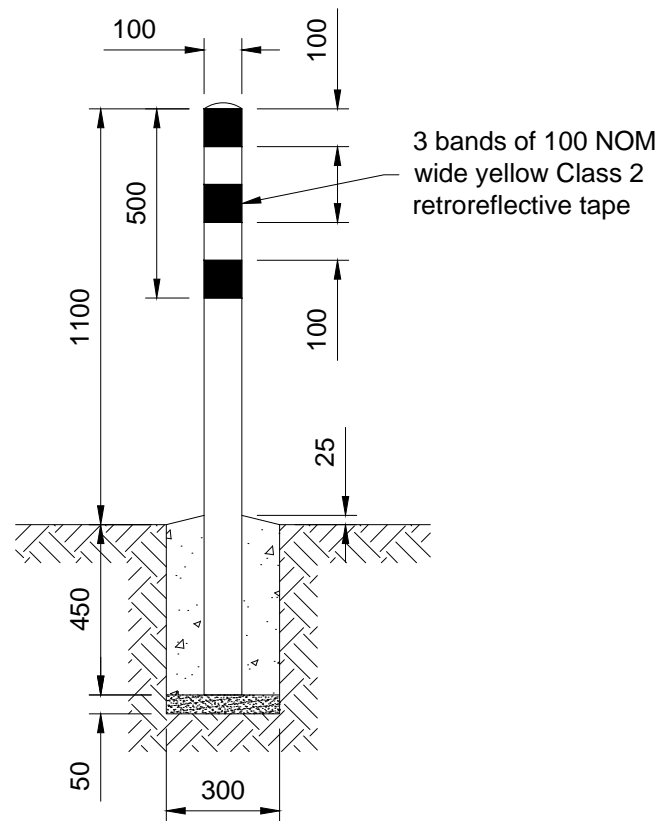


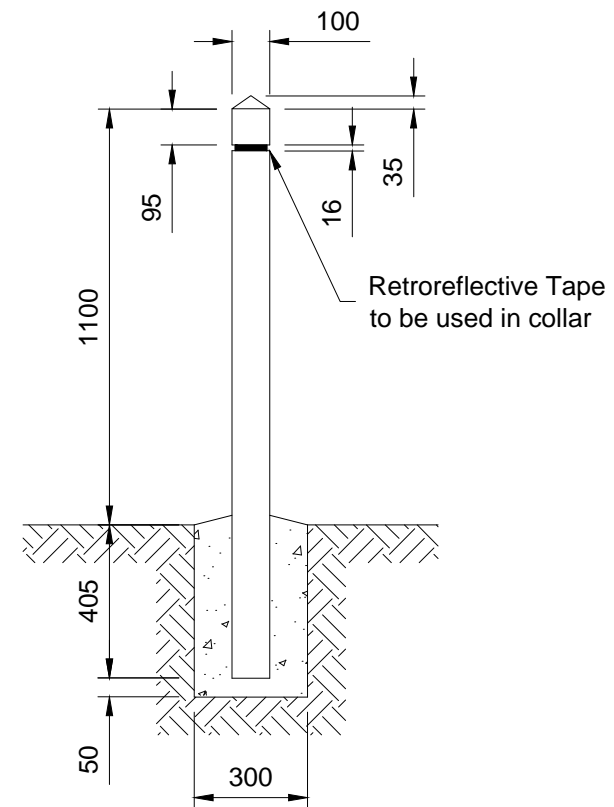
NOTES:

1. Concrete N32 in accordance with AS 1379 and AS 3600
2. Retroreflective tape to AS/NZS 1906.1. Apply in accordance with manufacturer's recommendations
3. All dimensions in millimetres
4. Council will accept other bollards on application



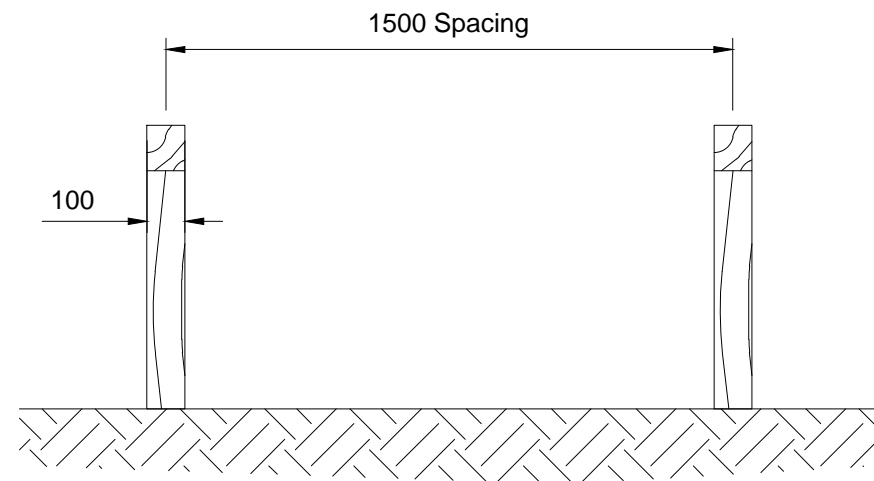
Steel Tube Bollard

Scale 1:20



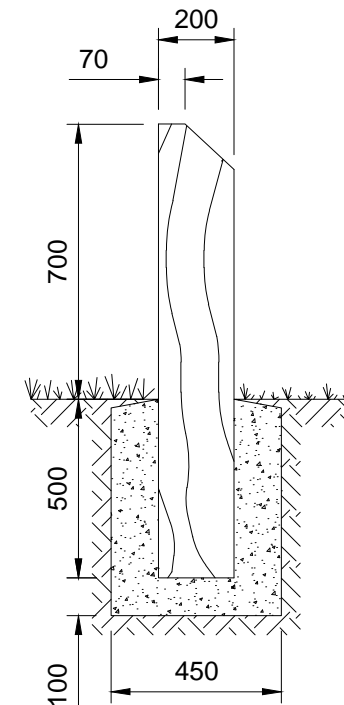
Plastic Bollard

Scale 1:20



Bollard Setout

Scale 1:20



Timber Bollard

Scale 1:20

APPLICABILITY TABLE							
Council	BSC	CHRC	GRC	IRC	LSC	MRC	RRC
Applicable	Yes	No	Yes	Yes	No	Yes	No
Applicable DWG	CMDG-R-055A						

REVISIONS	DATE
F IRC ADDED	12/2016
E GRC AND LSC ADDED	09/2014
D Applicability Table Amended	08/2012
C Applicability Table Amended	08/2012
B MRC ADDED	04/2011
A POST AMALGAMATION REVIEW	06/2010

DISCLAIMER.
The authors and sponsoring organisations shall have no liability or responsibility to the user or any other person or entity with respect to any liability, loss or damage caused or alleged to be caused, directly or indirectly, by the adoption and use of these Standard Drawings including, but not limited to, any interruption of service, loss of business or anticipatory profits, of consequential damages resulting from the use of these Standard Drawings. Persons must not rely on these Standard Drawings as the equivalent of, or a substitute for, project-specific design and assessment by an appropriately qualified professional.

Capricorn Municipal Development Guidelines

Incorporating:
 Banana Shire Council (BSC) Livingstone Shire Council (LSC)
 Central Highlands Regional Council (CHRC) Maranoa Regional Council (MRC)
 Gladstone Regional Council (GRC) Rockhampton Regional Council (RRC)
 Isaac Regional Council (IRC)

COUNCIL APPROVED BOLLARDS

ROADS					
STANDARD DRAWING					
CMDG-R-055					
REV.	A	B	C	D	E