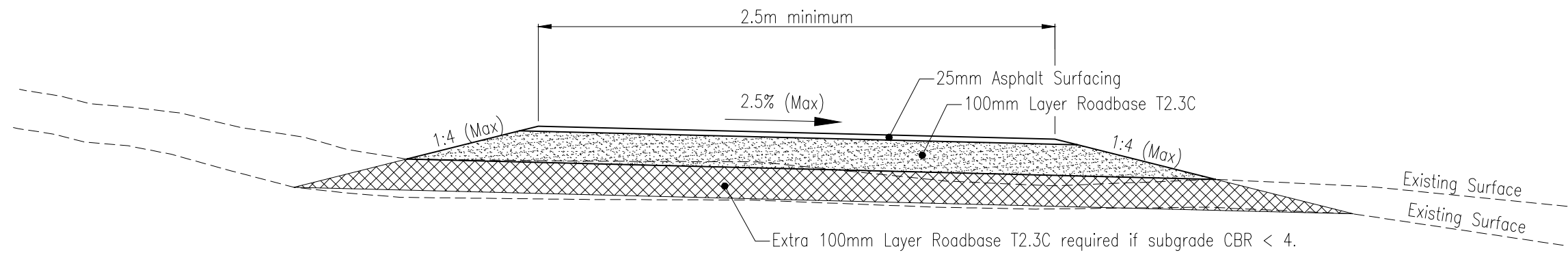


NOTES:

1. Refer AUSTRROADS – PART 14 (BICYCLES) for horizontal and vertical geometry requirements.
2. Asphalt cycleways applicable off road only, in open spaces, parklands and along waterways.
3. Provide adequate drainage under cycleway where required to prevent ponding.



TYPICAL SECTION – ASPHALT CYCLEWAY

APPLICABILITY TABLE							
Council	BSC	CHRC	GRC	IRC	LSC	MRC	RRC
Applicable	Yes	Yes	Yes	Yes	Yes	Yes	Yes

REVISIONS	DATE
E IRC ADDED	12/2016
D GRC AND LSC ADDED	09/2014
C MRC ADDED	04/2011
B ROADBASE LAYER AMENDED TO 100mm	07/2010
A POST AMALGAMATION REVIEW	01/2010

DISCLAIMER.
 The authors and sponsoring organisations shall have no liability or responsibility to the user or any other person or entity with respect to any liability, loss or damage caused or alleged to be caused, directly or indirectly, by the adoption and use of these Standard Drawings including, but not limited to, any interruption of service, loss of business or anticipatory profits, of consequential damages resulting from the use of these Standard Drawings. Persons must not rely on these Standard Drawings as the equivalent of, or a substitute for, project-specific design and assessment by an appropriately qualified professional.

Capricorn Municipal Development Guidelines

Incorporating:
 Banana Shire Council (BSC) Livingstone Shire Council (LSC)
 Central Highlands Regional Council (CHRC) Maranoa Regional Council (MRC)
 Gladstone Regional Council (GRC) Rockhampton Regional Council (RRC)
 Isaac Regional Council (IRC)

ASPHALT CYCLEWAY DETAILS

ROADS				
STANDARD DRAWING				
CMDG-R-052				
REV.	A	B	C	D E