

STANDARD GRID PLAN (INCLUDING GATE)

1:200
(8.0m Wide grid option shown
With additional signage location
for a 4.0m wide grid)

REFERENCED DOCUMENTS:
Department of Transport and Main Roads (DTMR)
Standard Drawings:
• 1601 fencing - rural fence and gates CHS posts and stays

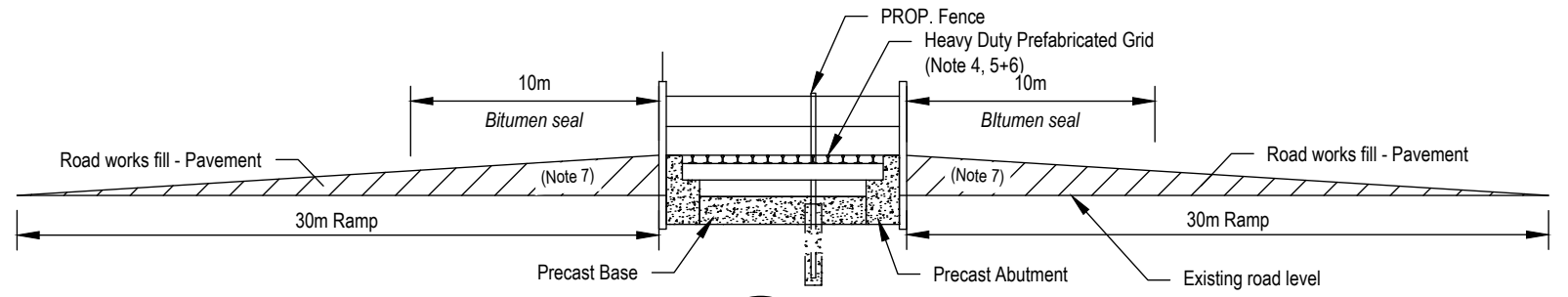
REFERENCE STANDARDS:
• DTMR Manual of Traffic Control Devices (MUTCD)
• Austroads Guide to Road Design Part 3

STANDARD GUIDELINES:
DTMR "Guidelines for Bitumen Surfacing and AC Surfacing"

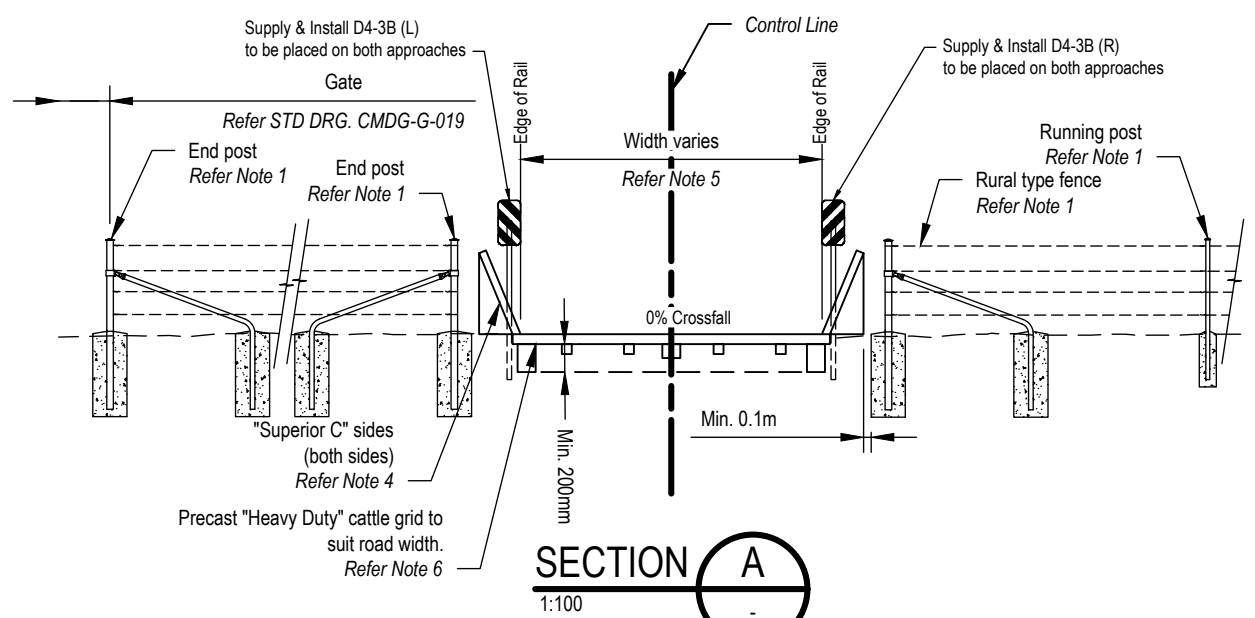
LEGEND:

- Min. 250mm thickness, DTMR type 2.3 gravel.
- 2-coat bitumen seal
1st coat 16mm aggregate, 2nd coat 10mm aggregate, C170 bitumen
First coat - C170 @1.9 L/m² = 16mm @85m²/m³
Second coat - C170 @1.6 L/m² = 10mm @140m²/m³
refer note 9
- Road Edge Guide Post
Refer Note 3
- Traffic sign
Refer Note 3

- NOTES:**
1. Fence details refer DTMR STD. DRG. 1601.
 2. Gate to be located to side of grid at approved location, refer STD DRG. CMDG-G-019.
 3. Signage and guide posts to be installed as per the latest DTMR MUTCD.
 4. Cattle grid to be installed and supplied using manufacturer's specification "Aprilla Grids" or approved equivalent. Length of grid minimum 2.1m along road centreline.
 5. Cattle grid width (GRC & IRC):
< 50 aadt - 4.0m wide
> 50 to max. 500 aadt - 8.0m wide
Cattle grid width (RRC):
< 50 aadt - 4.0m wide
> 50 to max. 75 aadt - 8.0m wide
 6. "Heavy Duty" cattle grid to be load rated for minimum 16 tonne/axle up to 80km/h.
 7. 2-coat bitumen seal mandatory on approaches on roads exceeding >50 aadt. Bitumen surfacing to be minimum 10m length for 8.0m wide cattle grid. No seal requirements for 4.0m wide cattle grid. Not required by RRC.
 8. Crossfall to be -5% on gravel roads U.N.O. transition crossfall in sealed area from -5% to start/end to 0% at grid.
 9. Emulsion seal considered as alternative to C170 hot bitumen seal subject to council approval.
 10. Maintenance - all welding repairs to conform in accordance with AS1554.1.
 11. Minimum 200mm clearance between the grid and the grid floor
 12. Slope of grid floor min 1%



SECTION B
N.T.S.
GRID LONG SECTION



SECTION A
1:100
MAIN GRID CROSS SECTION

APPLICABILITY TABLE							
Council	BSC	CHRC	GRC	IRC	LSC	MRC	RRC
Applicable	No	No	Yes	Yes	No	No	Yes
Seal required on approach >50AADT and 8.0m grid?			Yes	Yes			No
Seal required on approach >50AADT and 4.0m grid?			No	No			No

REVISIONS	DATE
E RAMP SIGNAGE & APPLICABILITY TABLE AMENDED	06/2022
D RRC APPLICABILITY AMENDED	06/2020
C IRC ADDED	12/2016
B DWG CROSS REFERENCES AMENDED	09/2015
A NEW GRC DRAWING	09/2015

DISCLAIMER.
The authors and sponsoring organisations shall have no liability or responsibility to the user or any other person or entity with respect to any liability, loss or damage caused or alleged to be caused, directly or indirectly, by the adoption and use of these Standard Drawings including, but not limited to, any interruption of service, loss of business or anticipatory profits, of consequential damages resulting from the use of these Standard Drawings. Persons must not rely on these Standard Drawings as the equivalent of, or a substitute for, project-specific design and assessment by an appropriately qualified professional.

Capricorn Municipal Development Guidelines
Incorporating:
Banana Shire Council (BSC)
Central Highlands Regional Council (CHRC)
Gladstone Regional Council (GRC)
Livingstone Shire Council (LSC)
Maranoa Regional Council (MRC)
Rockhampton Regional Council (RRC)
Isaac Regional Council (IRC)

HEAVY DUTY CATTLE GRID (<500 AADT)

GENERAL	
STANDARD DRAWING	A3
CMDG-G-020	
REV.	A B C D E