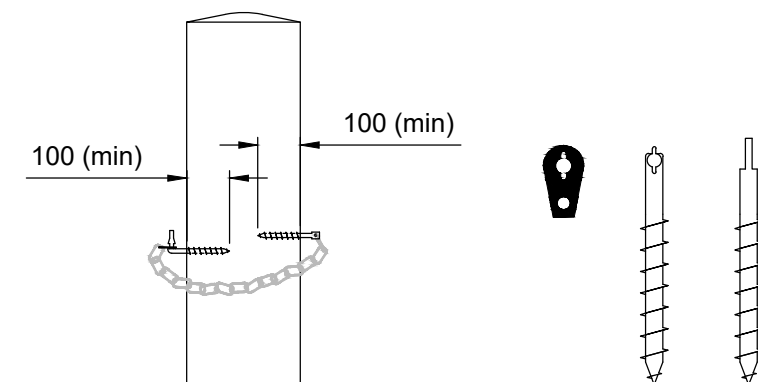


- NOTE:
1. Gate is to be constructed of 40mm square steel tubing 2mm thick min
 2. All gate fittings to be galvanised
 3. Minimum gate width 3m

STANDARD COUNCIL GATE TYPE 1

Scale 1:50



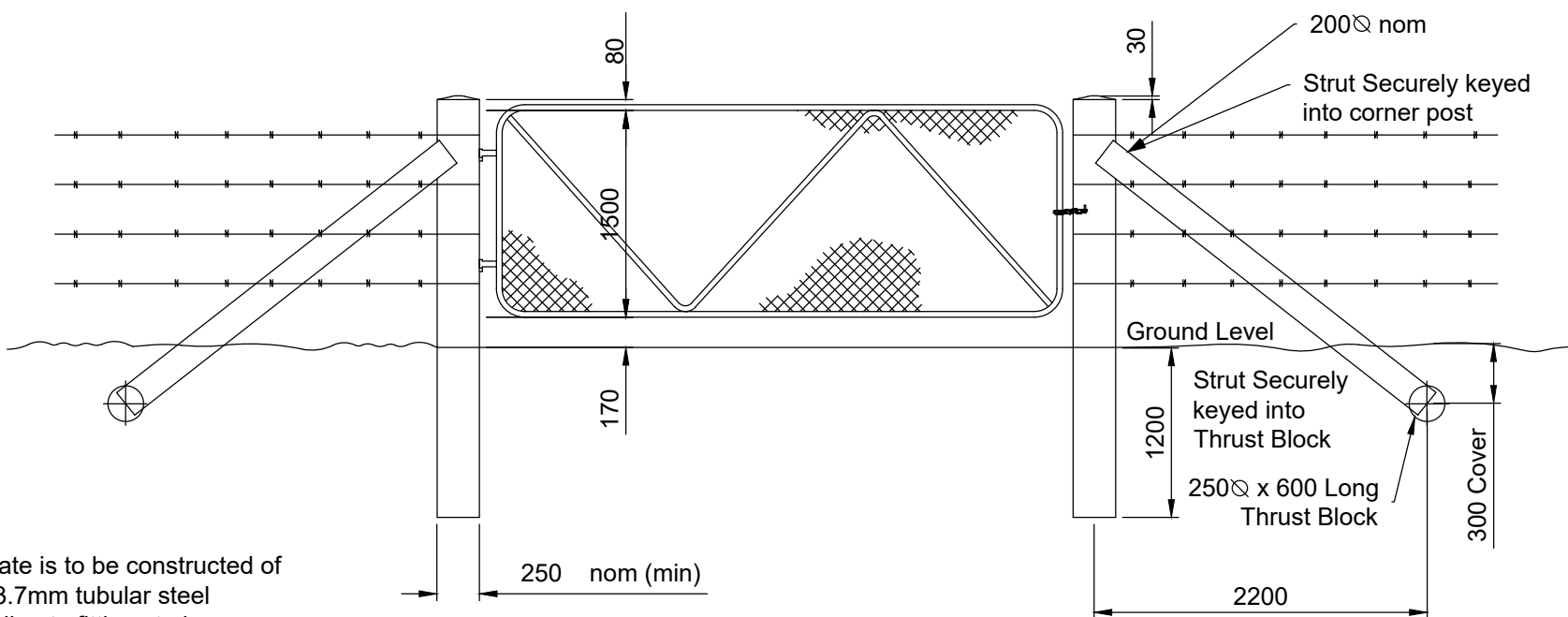
TYPICAL CROSS SECTION

Scale 1:20

TOP VIEW

Scale 1:5

GATE FASTENERS



- NOTE:
1. Gate is to be constructed of 33.7mm tubular steel
 2. All gate fittings to be galvanised
 3. Minimum gate width 3m

STANDARD COUNCIL GATE TYPE 2

Scale 1:50

APPLICABILITY TABLE							
Council	BSC	CHRC	GRC	IRC	LSC	MRC	RRC
Applicable	Yes	Yes	No	Yes	Yes	Yes	No
Applicable DWG	Refer GRC Gates and Grids Policy P-2014/6						

*Dimensions are in Millimetres unless otherwise shown

REVISIONS	DATE
F	12/2021
E	12/2016
D	08/2015
C	09/2014
B	04/2011
A	07/2010

DISCLAIMER.
The authors and sponsoring organisations shall have no liability or responsibility to the user or any other person or entity with respect to any liability, loss or damage caused or alleged to be caused, directly or indirectly, by the adoption and use of these Standard Drawings including, but not limited to, any interruption of service, loss of business or anticipatory profits, of consequential damages resulting from the use of these Standard Drawings. Persons must not rely on these Standard Drawings as the equivalent of, or a substitute for, project-specific design and assessment by an appropriately qualified professional.

Capricorn Municipal Development Guidelines

Incorporating:
 Banana Shire Council (BSC) Livingstone Shire Council (LSC)
 Central Highlands Regional Council (CHRC) Maranoa Regional Council (MRC)
 Gladstone Regional Council (GRC) Rockhampton Regional Council (RRC)
 Isaac Regional Council (IRC)

STANDARD COUNCIL GATE

GENERAL					
STANDARD DRAWING					
CMDG-G-017					
REV.	A	B	C	D	E