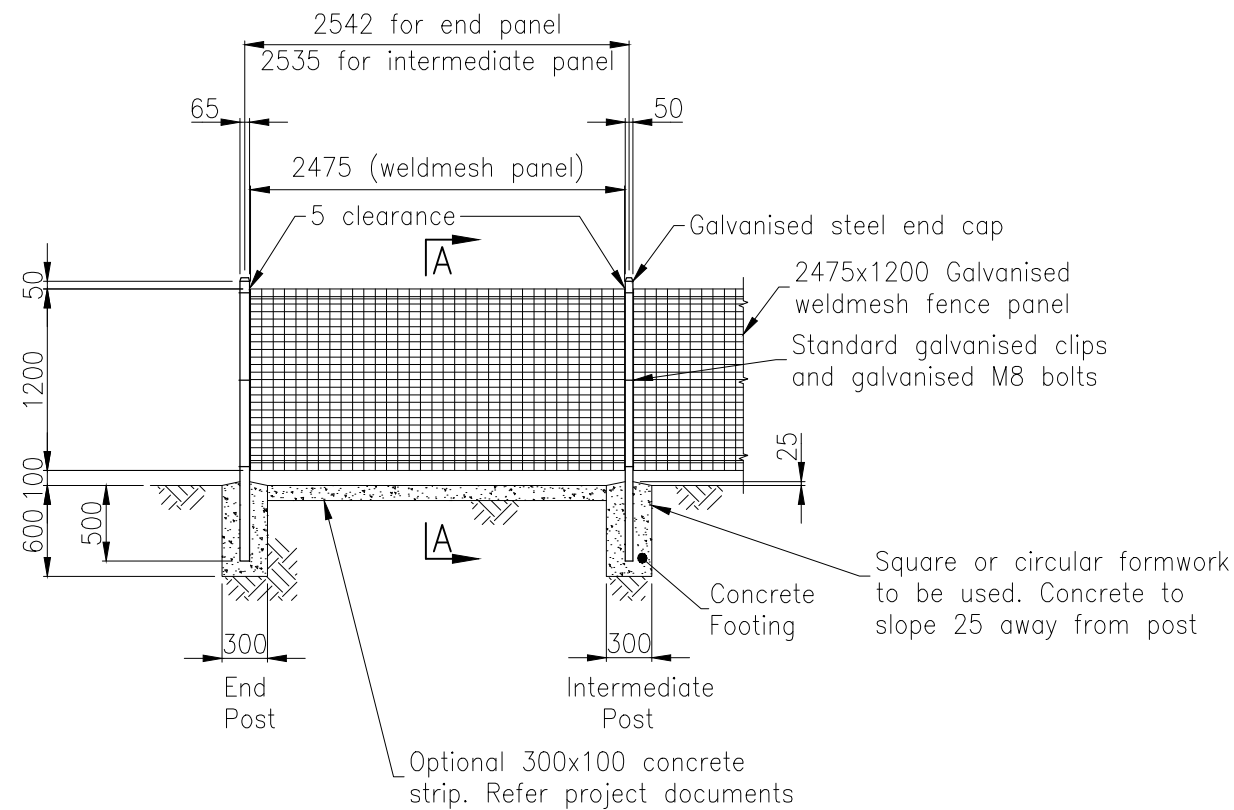
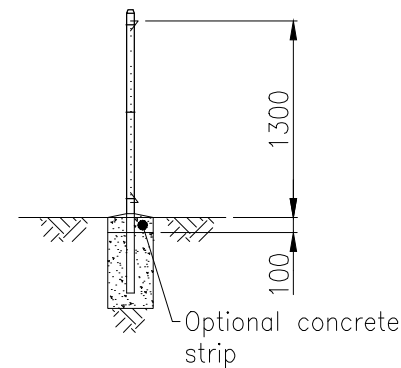


CONTROL FENCE



ELEVATION

WELDMESH FENCE



SECTION A-A

NOTES

A – Weldmesh Fence

1. Gate and end posts to be 65x65x2 galvanised steel section to AS 1163.
2. Intermediate posts to be 50x50x2 galvanised steel section to AS 1163.
3. Panels to be fixed to posts using standard galvanised clips and galvanised M8 bolts.
4. Galvanised to AS 1214 and AS 1650.
5. Concrete N25 in accordance with AS 1379 and AS 3600.
6. Posts are to be vertical.
7. Raked panels are available for slopes up to 1 in 5.
8. Nuts to be spot welded to bolts as an anti-theft deterrent.

B – Control Fence

1. All barbed wire, plain wire, hinged joint fencing, staples and ring fasteners to be galvanised to AS 1650.
2. Provide strainer panels at 100 to 140m spacing. Panels to be as for 'End Panels' with an extra 2/3.15mm wire brace as indicated by broken lines.
3. Posts may be tea-tree, split hardwood or sawn timber.
4. Where fences turn 90° adopt an end panel going away in each direction.
5. Dowels, Grade 250 to AS 3679.

C – General

1. All dimensions in millimetres unless shown otherwise.

APPLICABILITY TABLE

Council	BSC	CHRC	GRC	IRC	LSC	MRC	RRC
Applicable	Yes	Yes	Yes	Yes	Yes	Yes	Yes

REVISIONS	DATE
D IRC ADDED	12/2016
C GRC AND LSC ADDED	09/2014
B MRC ADDED	04/2011
A POST AMALGAMATION REVIEW	01/2010

DISCLAIMER.
The authors and sponsoring organisations shall have no liability or responsibility to the user or any other person or entity with respect to any liability, loss or damage caused or alleged to be caused, directly or indirectly, by the adoption and use of these Standard Drawings including, but not limited to, any interruption of service, loss of business or anticipatory profits, of consequential damages resulting from the use of these Standard Drawings. Persons must not rely on these Standard Drawings as the equivalent of, or a substitute for, project-specific design and assessment by an appropriately qualified professional.

Capricorn Municipal Development Guidelines

Incorporating:
Banana Shire Council (BSC) Livingstone Shire Council (LSC)
Central Highlands Regional Council (CHRC) Maranoa Regional Council (MRC)
Gladstone Regional Council (GRC) Rockhampton Regional Council (RRC)
Isaac Regional Council (IRC)

WELDMESH FENCE AND CONTROL FENCE

GENERAL				
STANDARD DRAWING				
CMDG-G-015				
REV.	A	B	C	D