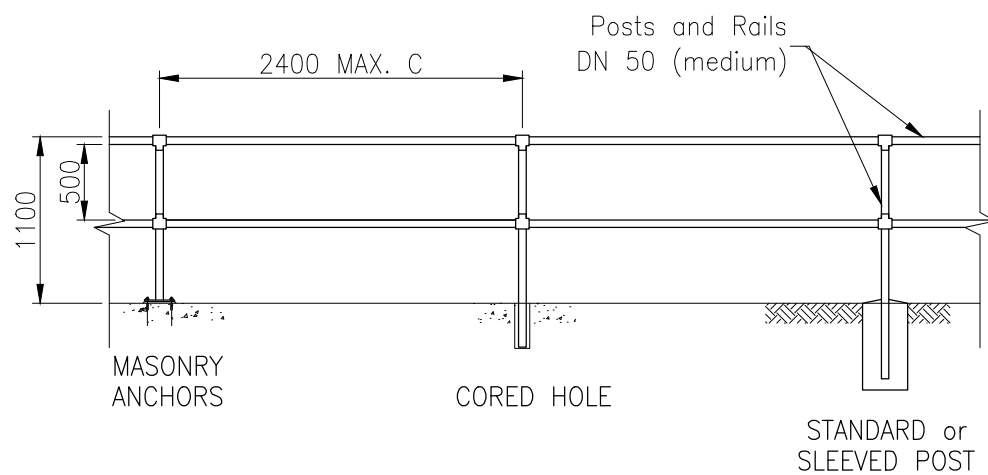
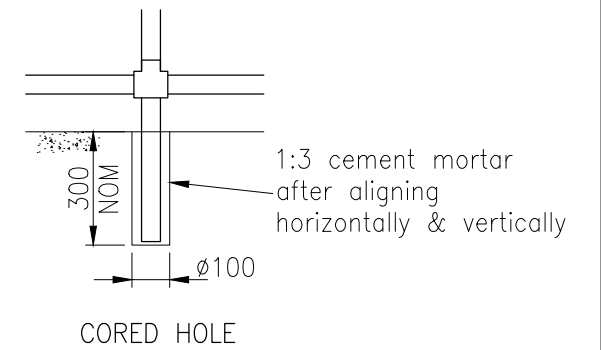
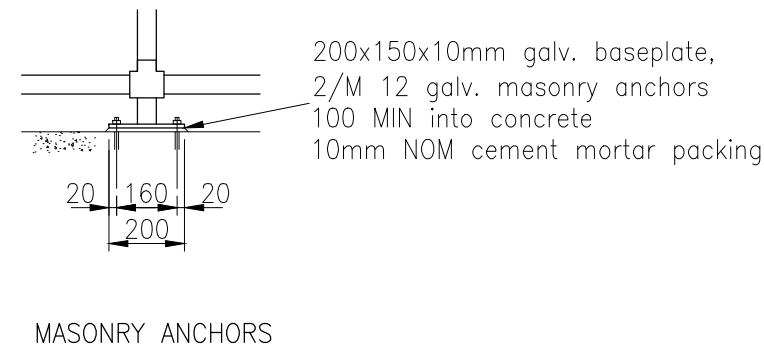
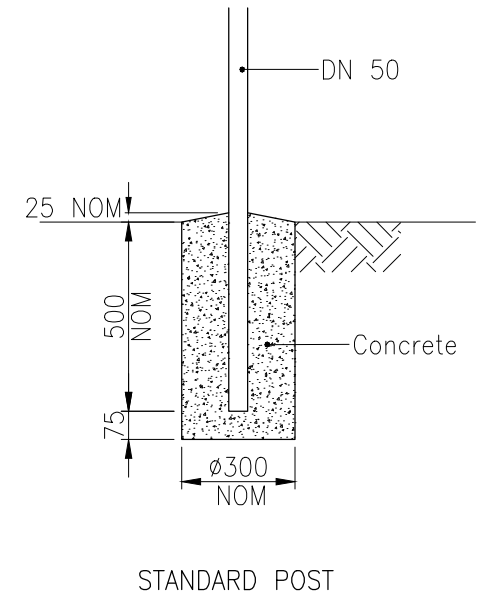
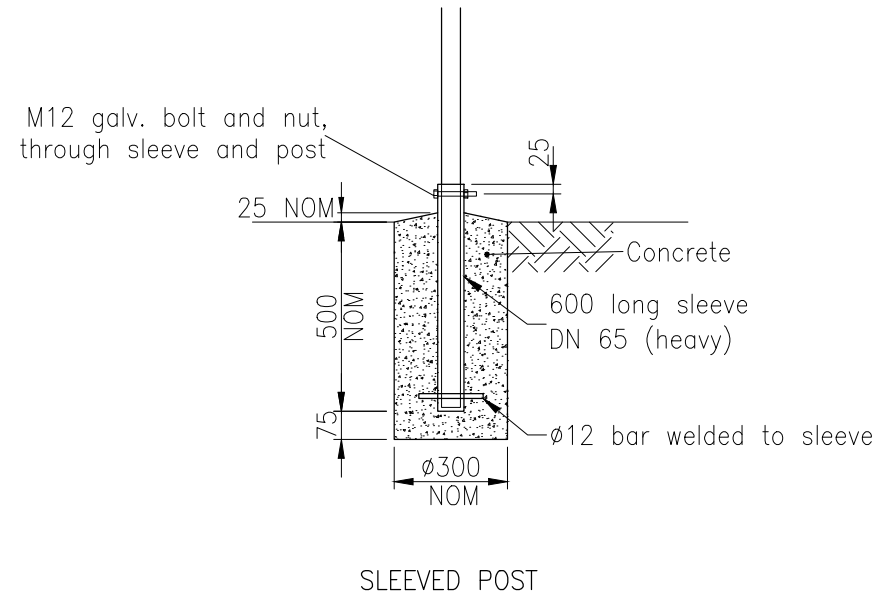


TYPE 1A (Height – 1100)  
TYPE 1B (Height – 1350)



TYPE 2



FOOTING DETAILS

NOTES:

1. Refer project drawings for type of fence to be installed and type of footing to be adopted.
2. Construction of posts & rails shall be done using standard coupling connections only (no welds).
3. Galvanised chainwire to be 2.6mm thick x 50 mesh to AS 2423.
4.  $\phi 12$  bars, Grace 250 steel to AS2423.
5. Hexagonal head bolts to AS 1111.  
Nuts to AS 1112.  
Washers to AS 1237.  
Galvanising to AS 1214.
6. All rails and posts galvanised steel tube to AS 1074.
7. Concrete N25 in accordance with AS 1379 and AS 3600.
8. All dimensions in millimetres.

APPLICABILITY TABLE							
Council	BSC	CHRC	GRC	IRC	LSC	MRC	RRC
Applicable	Yes	Yes	Yes	Yes	Yes	Yes	Yes

REVISIONS	DATE
D IRC ADDED	12/2016
C GRC AND LSC ADDED	09/2014
B MRC ADDED	04/2011
A POST AMALGAMATION REVIEW	01/2010

**DISCLAIMER.**  
The authors and sponsoring organisations shall have no liability or responsibility to the user or any other person or entity with respect to any liability, loss or damage caused or alleged to be caused, directly or indirectly, by the adoption and use of these Standard Drawings including, but not limited to, any interruption of service, loss of business or anticipatory profits, of consequential damages resulting from the use of these Standard Drawings. Persons must not rely on these Standard Drawings as the equivalent of, or a substitute for, project-specific design and assessment by an appropriately qualified professional.

**Capricorn Municipal Development Guidelines**  
Incorporating:  
Banana Shire Council (BSC) Livingstone Shire Council (LSC)  
Central Highlands Regional Council (CHRC) Maranoa Regional Council (MRC)  
Gladstone Regional Council (GRC) Rockhampton Regional Council (RRC)  
Isaac Regional Council (IRC)

TUBULAR STEEL FENCE

GENERAL				
STANDARD DRAWING				
CMDG-G-014				
REV.	A	B	C	D