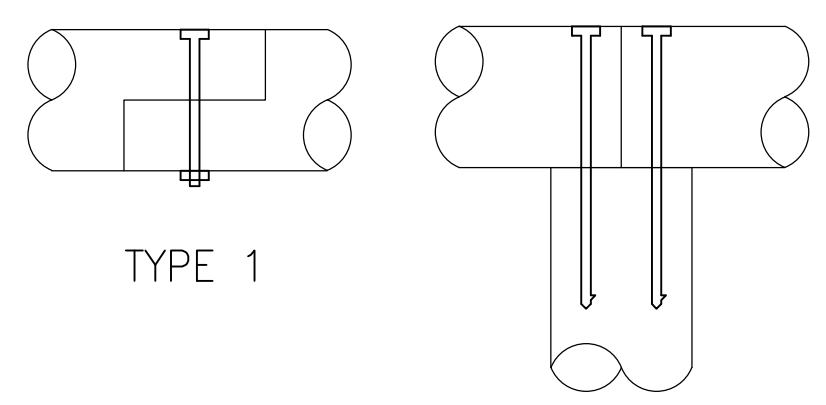


Unbound pavement material (gravel) to Grading B.  
 Tabel 9 of QT Specification MRS11.05, exclude material finer than AS sieve 2.36mm.

SECTION



TYPE 1

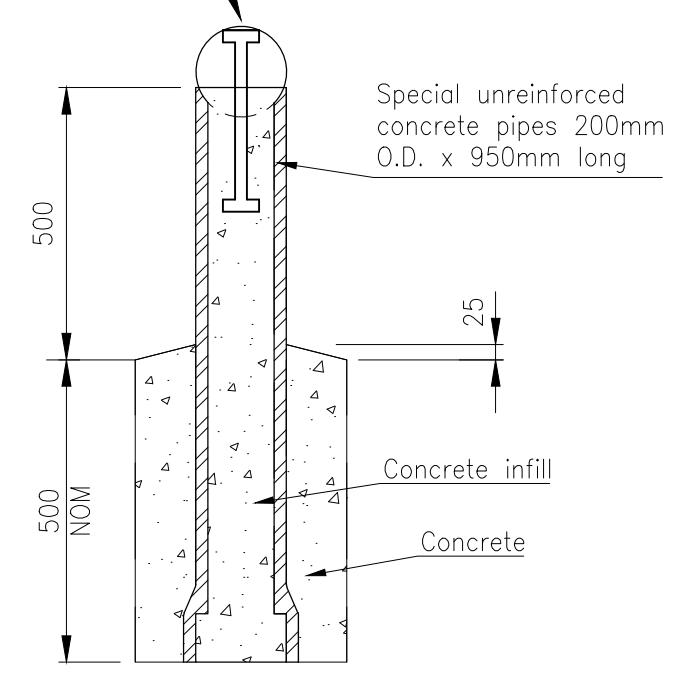
TYPE 2

TYPICAL RAIL JOINTS FOR CONTINUOUS FENCING

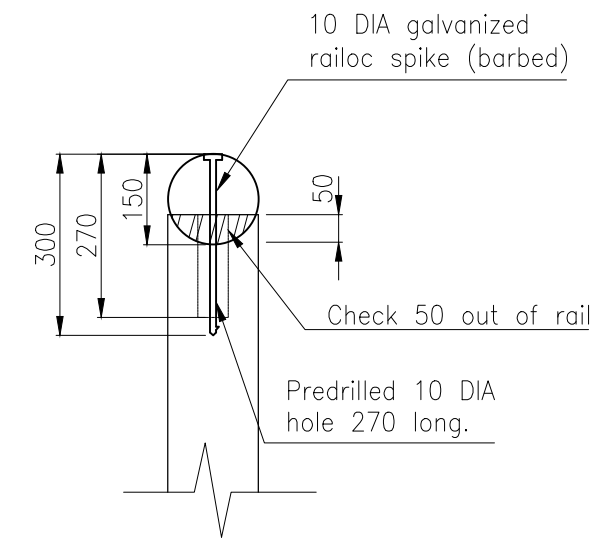
NOTES:

1. Concrete N25 in accordance with AS 1379 and AS 3600.
2. CCA log barriers to be 150 diameter, Grade A superlogs or equivalent treated to AS 1604.
3. Paint all cut surfaces with CUPRINOL or equivalent.
4. Hexagonal head bolts to AS 1111. Nuts to AS 1112. Washers to AS 1237. Galvanizing to AS 1214.
5. All dimensions in millimetres.
6. Not to be used in clear zone of roadways.

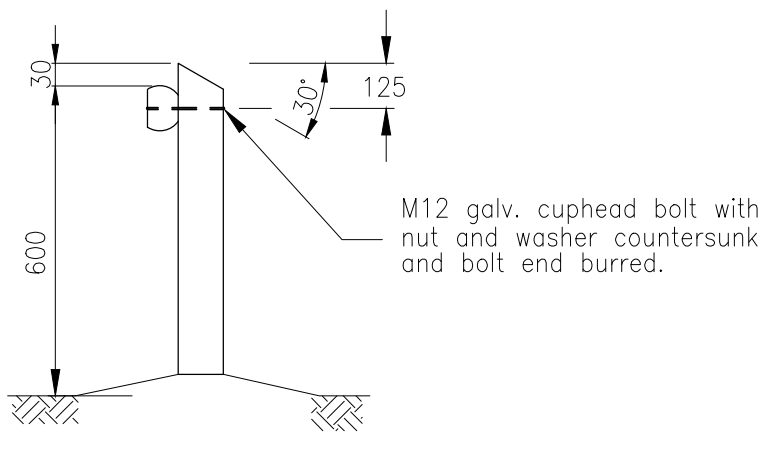
10mm galvanized bolt 300mm long projecting 95mm above pipe.  
 Check nut into log, punch thread.



ALTERNATIVE POST



DETAIL A



ALTERNATIVE RAIL

APPLICABILITY TABLE							
Council	BSC	CHRC	GRC	IRC	LSC	MRC	RRC
Applicable	Yes	Yes	Yes	Yes	Yes	Yes	Yes

REVISIONS	DATE
E IRC ADDED	12/2016
D GRC AND LSC ADDED	09/2014
C MRC ADDED	04/2011
B LOCKRAIL GATE REF. TO CMDG-G-013 ADDED	07/2010
A POST AMALGAMATION REVIEW	01/2010

**DISCLAIMER.**  
 The authors and sponsoring organisations shall have no liability or responsibility to the user or any other person or entity with respect to any liability, loss or damage caused or alleged to be caused, directly or indirectly, by the adoption and use of these Standard Drawings including, but not limited to, any interruption of service, loss of business or anticipatory profits, of consequential damages resulting from the use of these Standard Drawings. Persons must not rely on these Standard Drawings as the equivalent of, or a substitute for, project-specific design and assessment by an appropriately qualified professional.

**Capricorn Municipal Development Guidelines**  
 Incorporating:  
 Banana Shire Council (BSC) Livingstone Shire Council (LSC)  
 Central Highlands Regional Council (CHRC) Maranoa Regional Council (MRC)  
 Gladstone Regional Council (GRC) Rockhampton Regional Council (RRC)  
 Isaac Regional Council (IRC)

**GENERAL LOG BARRIER FENCE**

ROADS	
STANDARD DRAWING	CMDG-G-012
REV.	A B C D E