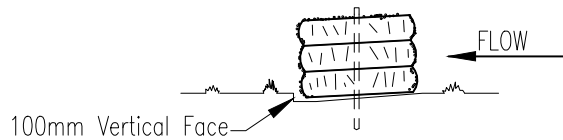
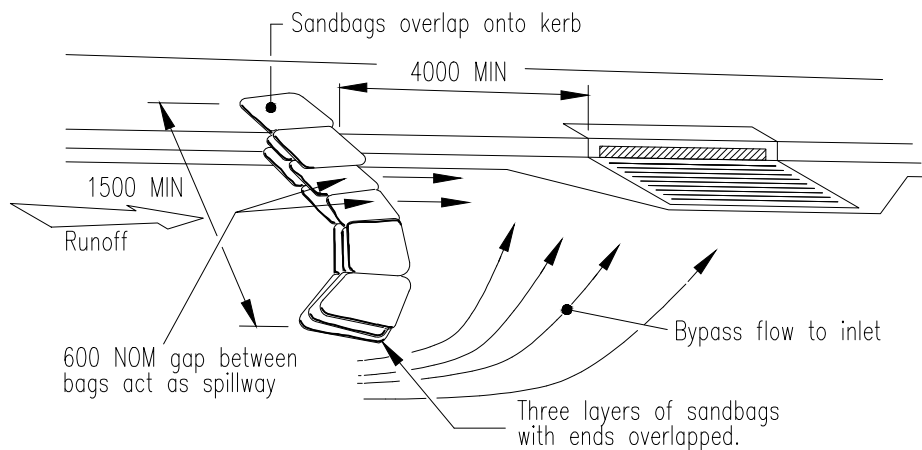


ANCHORING DETAIL

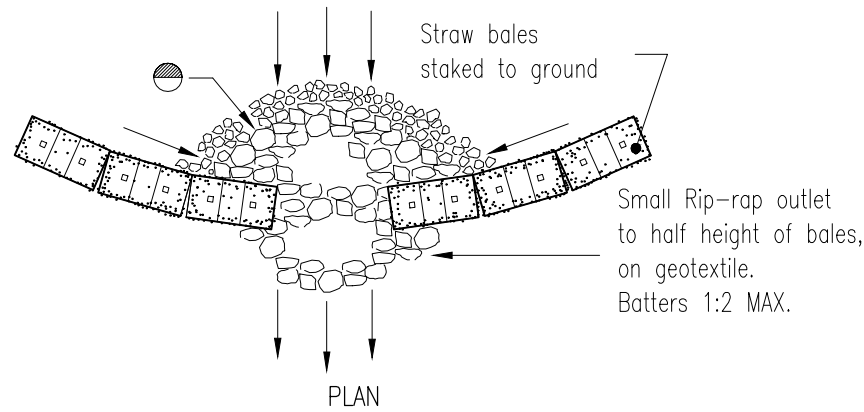


BEDDING DETAIL

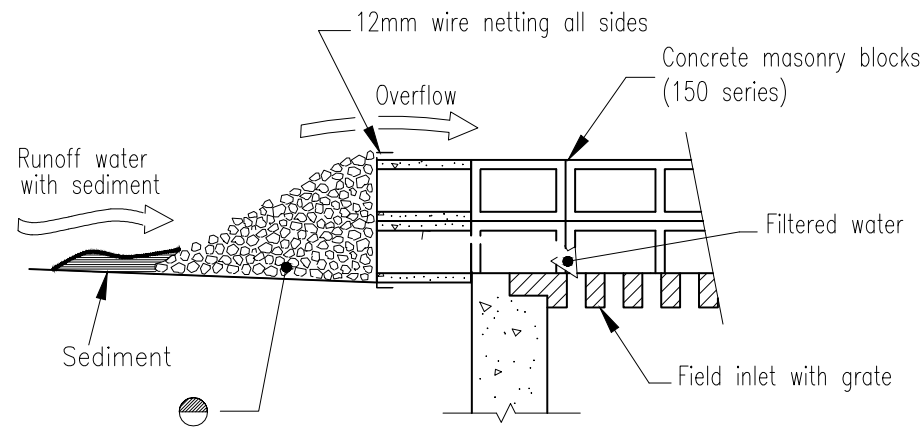
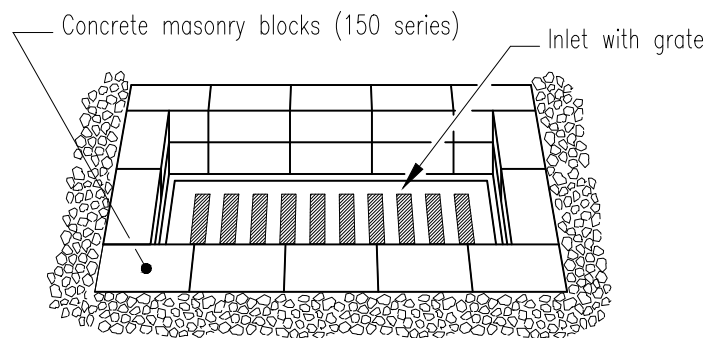
STRAW BALE BANK SEDIMENT CONTROL



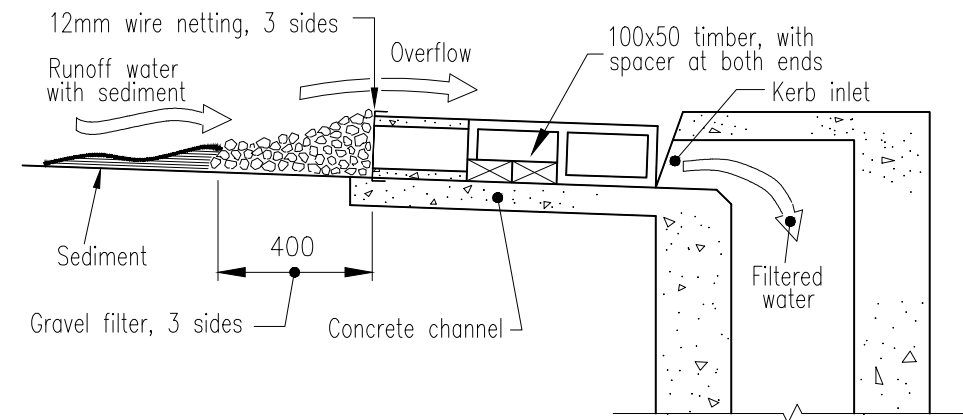
ON GRADE KERB INLET SEDIMENT TRAP



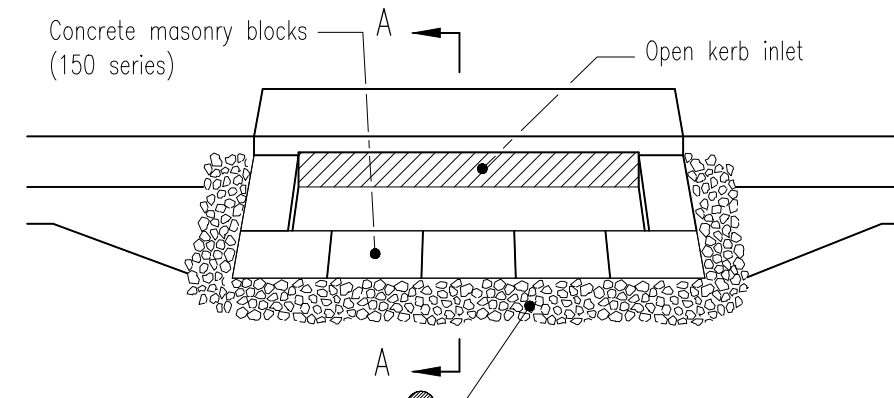
STRAW BALE AND STONE TRAP SEDIMENT CONTROL – CONCENTRATED FLOW



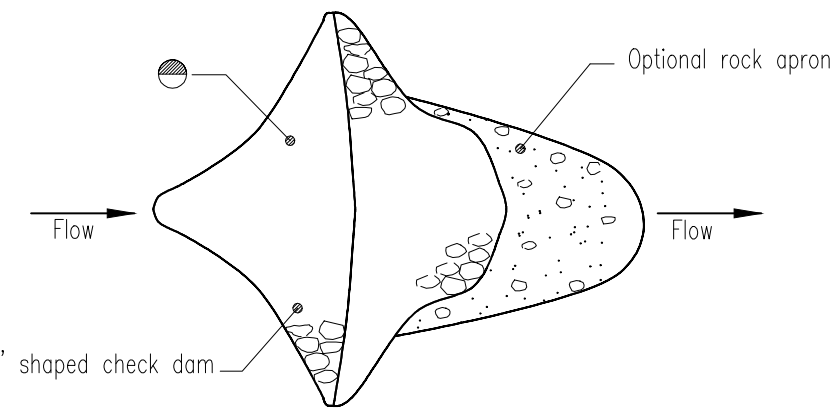
FIELD INLET SEDIMENT TRAP



SECTION A-A

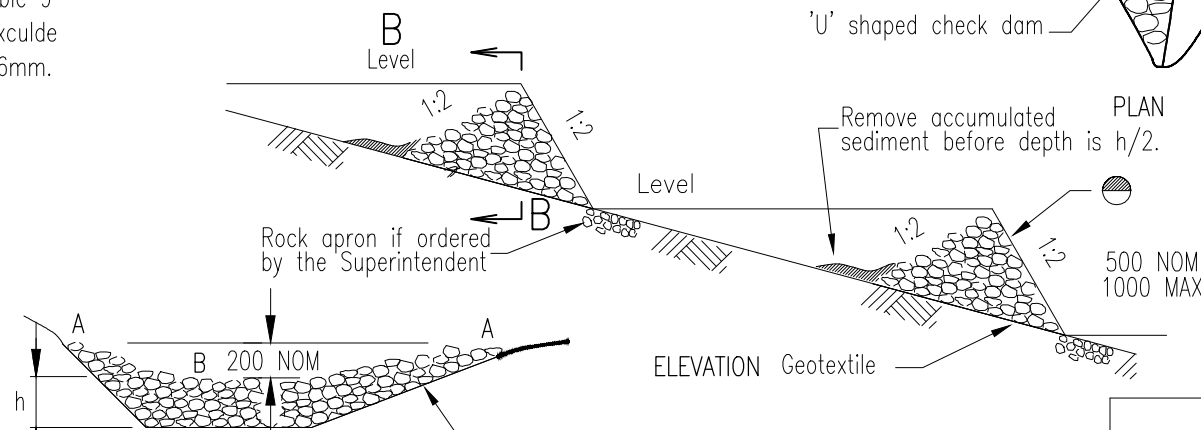


SAG INLET SEDIMENT TRAP  
A stabilised bypass 'overland flow path' should exist adjacent to inlet in genuine sags.



'U' shaped check dam

'A' to be higher than 'B' to prevent sediment bypass



CHECK DAMS FLOW CONTROL

SECTION B-B

NOTES:

1. Field Inlet
  - a. A stabilised bypass overland flow path should exist adjacent to the field inlet.
  - b. Water level control perimeter banks may be required.
  - c. Blocks to be restrained by a horizontal timber rail at block joint height fixed to timber stakes at corners.
2. Check Dams
  - a. Catchment area limited to 4 ha.
  - b. Use in minor open drains only, (velocity control), sediment collection is a secondary purpose.
3. Straw Bale Banks
  - a. Bales shall be placed at the toe of a slope or on the contour, in a row with ends tightly abutting the adjacent bales.
  - b. Each bale shall be embedded in the soil a minimum of 100mm on the downstream side and placed so the bindings are horizontal.
  - c. Bales shall be securely anchored in place with either two stakes or steel pickets driven through the bale. The first stake in each bale shall be driven toward the previously laid bale at an angle to force the bales together.
  - d. Inspections shall be frequent and repair or replacement shall be made promptly as needed. Replace at least 3 monthly.
4. Safety issues must be considered at all times, incorporate traffic control devices to the satisfaction of the Superintendent.
5. All dimensions in millimetres.

LEGEND:

● Gravel filter, refer Grading B, Table 9 of QT Specification MRS11.05, exclude material finer than AS sieve 2.36mm.

APPLICABILITY TABLE							
Council	BSC	CHRC	GRC	IRC	LSC	MRC	RRC
Applicable	Yes	Yes	Yes	Yes	Yes	Yes	Yes

REVISIONS	DATE
D IRC ADDED	12/2016
C GRC AND LSC ADDED	09/2014
B MRC ADDED	04/2011
A POST AMALGAMATION REVIEW	01/2010

**DISCLAIMER.**  
The authors and sponsoring organisations shall have no liability or responsibility to the user or any other person or entity with respect to any liability, loss or damage caused or alleged to be caused, directly or indirectly, by the adoption and use of these Standard Drawings including, but not limited to, any interruption of service, loss of business or anticipatory profits, of consequential damages resulting from the use of these Standard Drawings. Persons must not rely on these Standard Drawings as the equivalent of, or a substitute for, project-specific design and assessment by an appropriately qualified professional.

**Capricorn Municipal Development Guidelines**

Incorporating:  
Banana Shire Council (BSC) Livingstone Shire Council (LSC)  
Central Highlands Regional Council (CHRC) Maranoa Regional Council (MRC)  
Gladstone Regional Council (GRC) Rockhampton Regional Council (RRC)  
Isaac Regional Council (IRC)

SEDIMENT CONTROL DEVICES  
KERB AND FIELD INLETS,  
CHECK DAMS & STRAW BALE BANK

DRAINAGE				
STANDARD DRAWING				
CMDG-D-051				
REV.	A	B	C	D