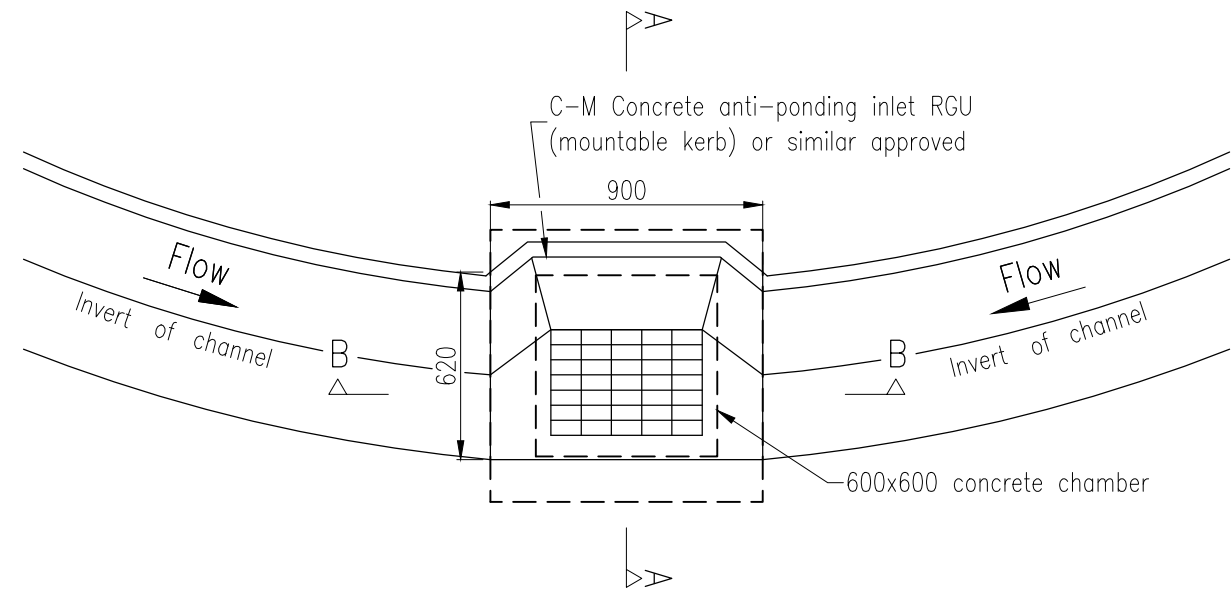
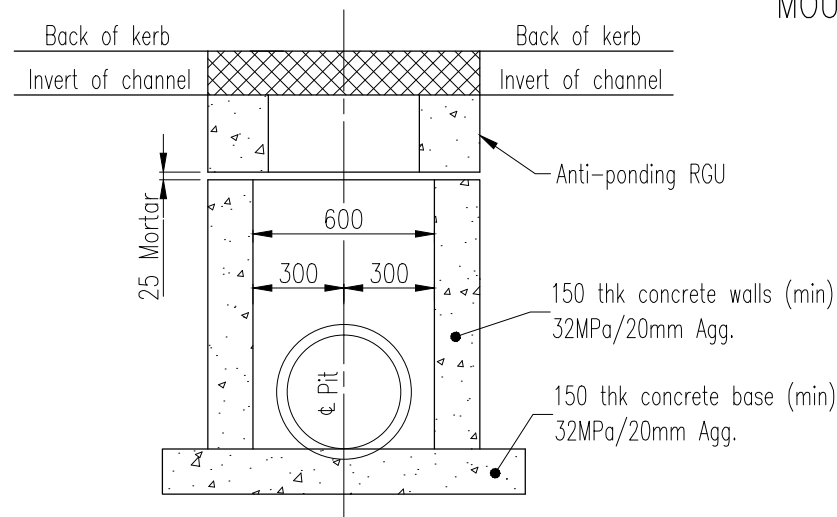


PLAN
BARRIER KERB AND CHANNEL



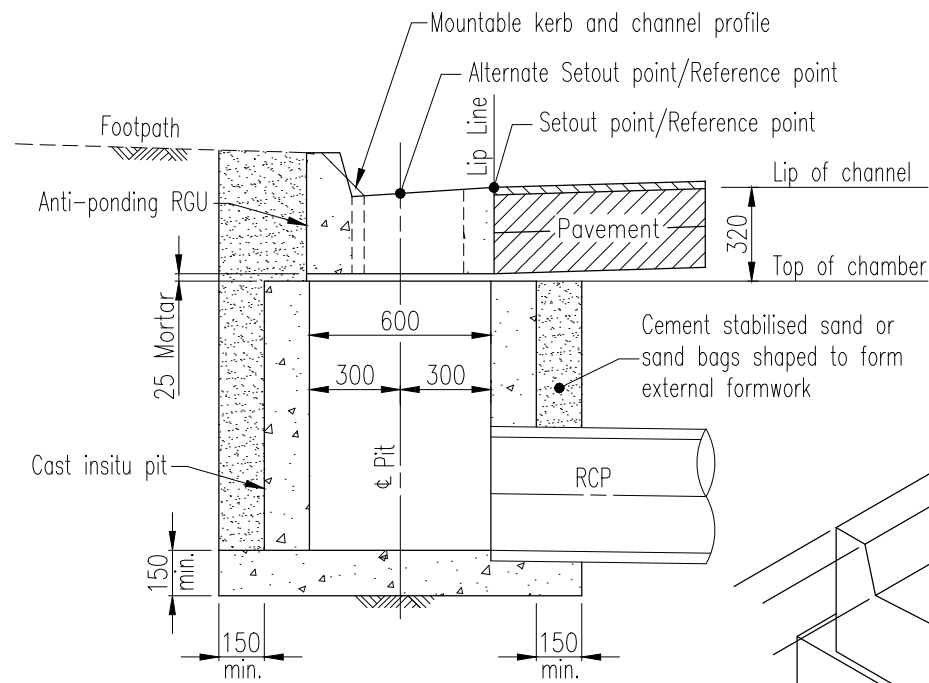
PLAN
MOUNTABLE KERB AND CHANNEL



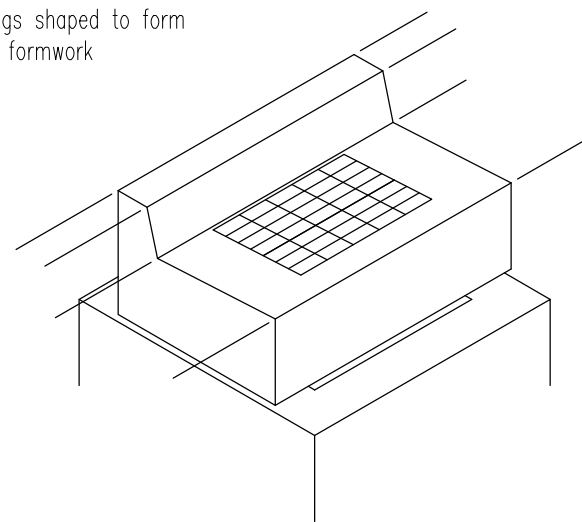
SECTION B-B

NOTES:

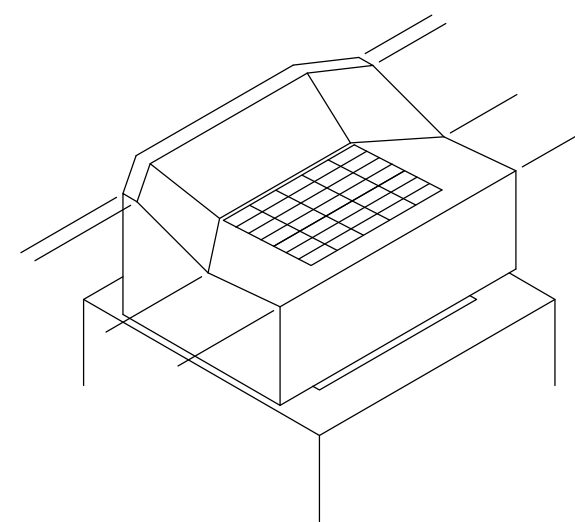
1. Precast anti-ponding road gully units to be 0.9m wide C-M Concrete Products or similar approved.
2. Reference point/setout point is on line of lip of kerb and channel at centre of grate. alternate reference point/setout point is geometric centre of chamber.
3. Pipe ends to be trimmed flush with internal wall and repaired so as to provide required concrete cover to pipe reinforcing.
4. Cut surfaces of concrete drainage components shall be given two coats of a tar epoxy paint.
5. The plane of the top of pit is to be constructed level when measured at right angles and parallel to the line of the lip of channel.



SECTION A-A



PERSPECTIVE
BARRIER KERB AND CHANNEL



PERSPECTIVE
MOUNTABLE KERB AND CHANNEL

APPLICABILITY TABLE							
Council	BSC	CHRC	GRC	IRC	LSC	MRC	RRC
Applicable	Yes	Yes	Yes	Yes	Yes	Yes	Yes

REVISIONS	DATE
E IRC ADDED	12/2016
D GRC AND LSC ADDED	09/2014
C MRC ADDED	04/2011
B REFERENCE TO LSC REMOVED	01/2011
A POST AMALGAMATION REVIEW	01/2010

DISCLAIMER.
The authors and sponsoring organisations shall have no liability or responsibility to the user or any other person or entity with respect to any liability, loss or damage caused or alleged to be caused, directly or indirectly, by the adoption and use of these Standard Drawings including, but not limited to, any interruption of service, loss of business or anticipatory profits, of consequential damages resulting from the use of these Standard Drawings. Persons must not rely on these Standard Drawings as the equivalent of, or a substitute for, project-specific design and assessment by an appropriately qualified professional.

Capricorn Municipal Development Guidelines
Incorporating:
Banana Shire Council (BSC) Livingstone Shire Council (LSC)
Central Highlands Regional Council (CHRC) Maranoa Regional Council (MRC)
Gladstone Regional Council (GRC) Rockhampton Regional Council (RRC)
Isaac Regional Council (IRC)

PRECAST ANTI-PONDING INLET
INSTALLATION DETAILS

DRAINAGE				
STANDARD DRAWING				
CMDG-D-021				
REV.	A	B	C	D