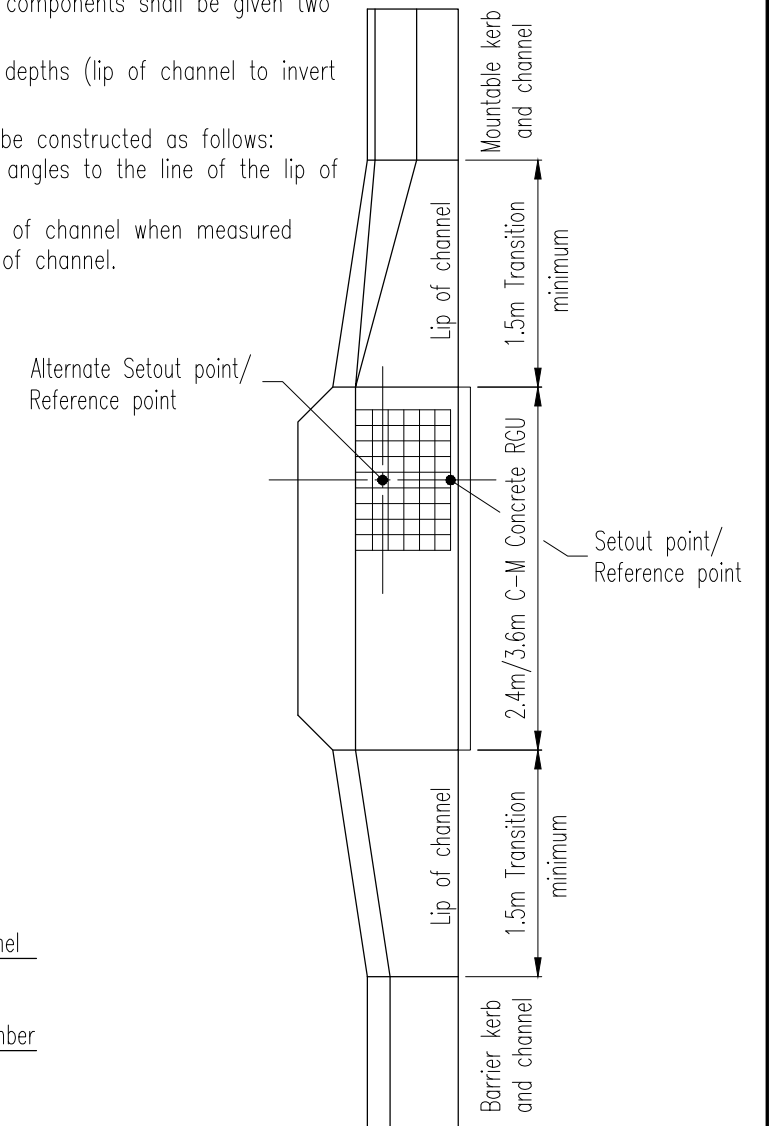


PLAN  
C-M CONCRETE RGU  
(with 1050 RCP shaft)

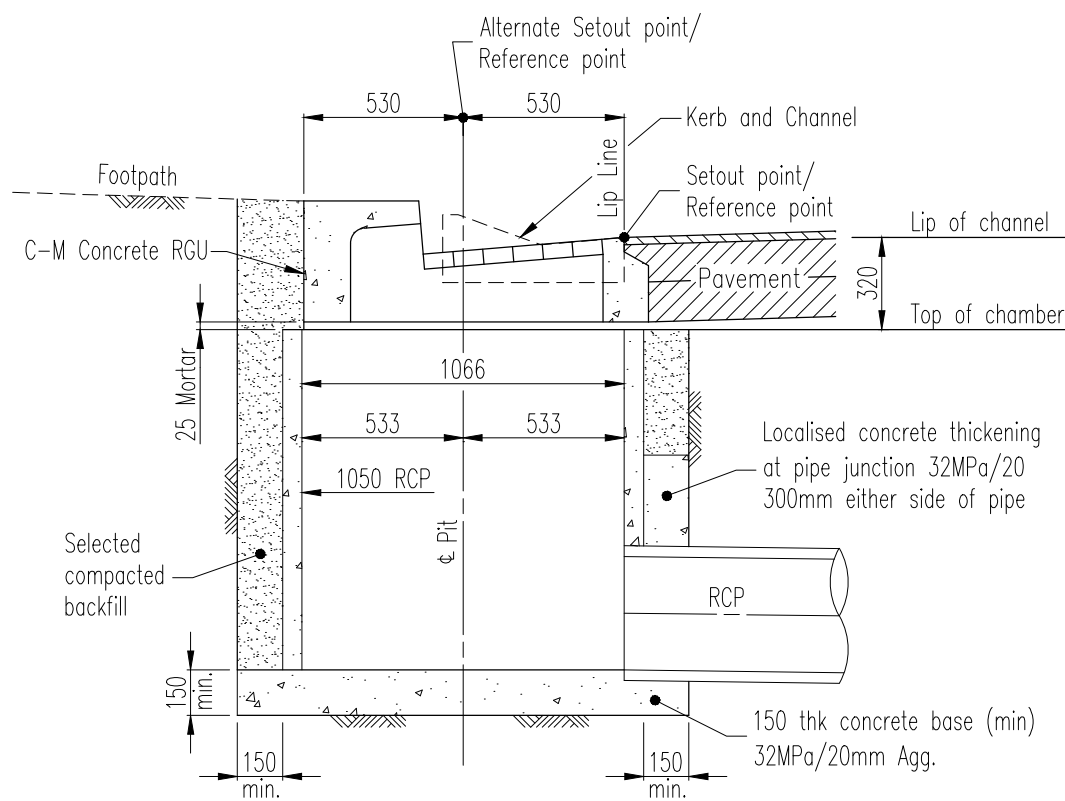
PLAN  
C-M CONCRETE RGU  
(with 900x900 insitu pit)

NOTES:

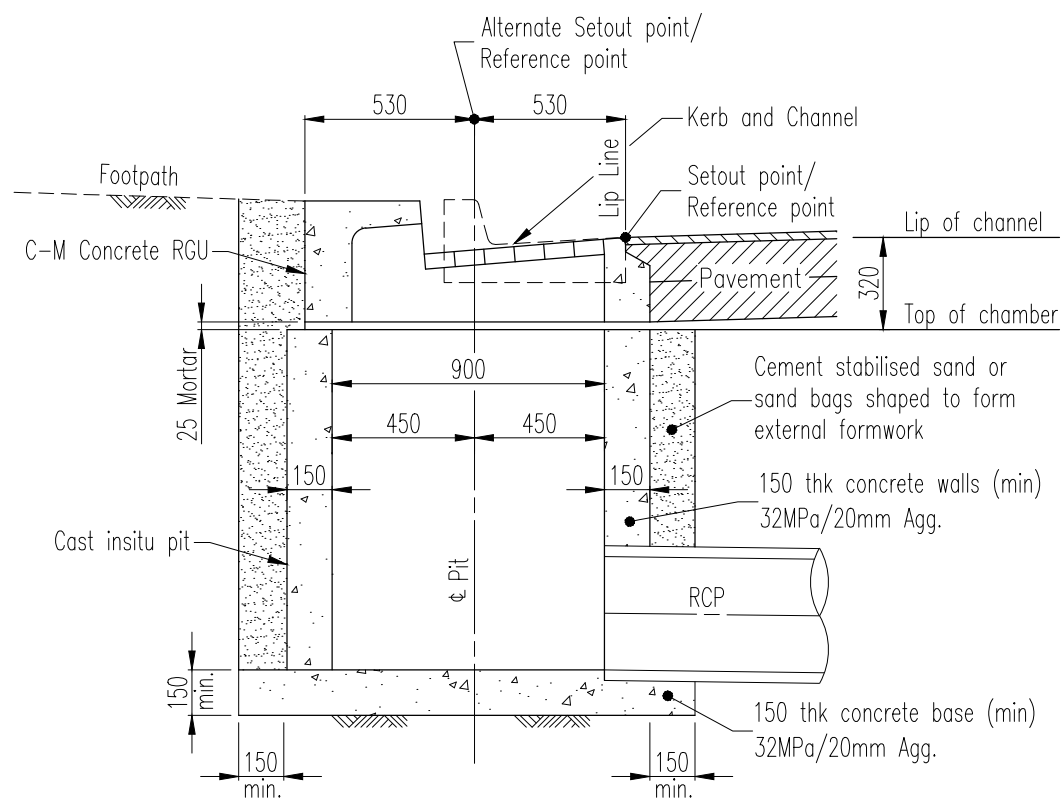
1. Precast road gully units to be 2.4m or 3.6m C-M Concrete Products (recessed type) or similar approved.
2. Reference point/setout point is on line of lip of kerb and channel at centre of grate. alternate reference point/setout point is geometric centre of chamber.
3. Pipe ends to be trimmed flush with internal wall and repaired so as to provide required concrete cover to pipe reinforcing.
4. Cut surfaces of concrete drainage components shall be given two coats of a tar epoxy paint.
5. Precast RC shafts to be used for depths (lip of channel to invert of pit) greater than 0.9m.
6. The plane of the top of pit is to be constructed as follows:
  - (a) Level when measured at right angles to the line of the lip of channel.
  - (b) To the same grade as the lip of channel when measured parallel to the line of the lip of channel.



C-M CONCRETE RGU CONFIGURATION



SECTIONAL ELEVATION



SECTIONAL ELEVATION

APPLICABILITY TABLE							
Council	BSC	CHRC	GRC	IRC	LSC	MRC	RRC
Applicable	Yes	Yes	Yes	Yes	Yes	Yes	Yes

REVISIONS	DATE
F IRC ADDED	12/2016
E GRC AND LSC ADDED	09/2014
D MRC ADDED	04/2011
C REFERENCE TO LSC REMOVED	01/2011
B TRANSITION 1.5 MINIMUM	07/2010
A POST AMALGAMATION REVIEW	01/2010

**DISCLAIMER.**  
The authors and sponsoring organisations shall have no liability or responsibility to the user or any other person or entity with respect to any liability, loss or damage caused or alleged to be caused, directly or indirectly, by the adoption and use of these Standard Drawings including, but not limited to, any interruption of service, loss of business or anticipatory profits, of consequential damages resulting from the use of these Standard Drawings. Persons must not rely on these Standard Drawings as the equivalent of, or a substitute for, project-specific design and assessment by an appropriately qualified professional.

**Capricorn Municipal Development Guidelines**  
Incorporating:  
Banana Shire Council (BSC) Livingstone Shire Council (LSC)  
Central Highlands Regional Council (CHRC) Maranoa Regional Council (MRC)  
Gladstone Regional Council (GRC) Rockhampton Regional Council (RRC)  
Isaac Regional Council (IRC)

PRECAST STORMWATER INLET  
INSTALLATION DETAILS

DRAINAGE	
STANDARD DRAWING	
CMDG-D-020	
REV.	A B C D E F