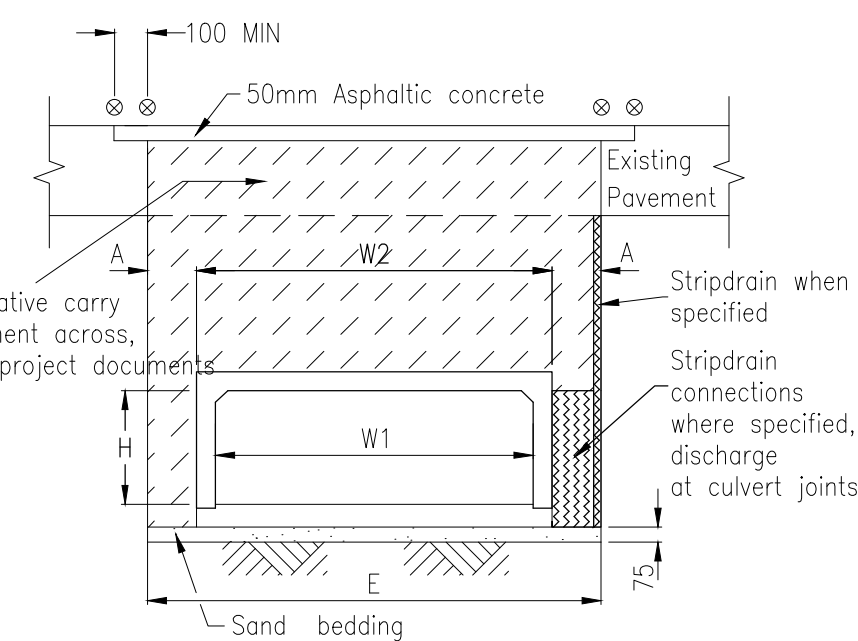
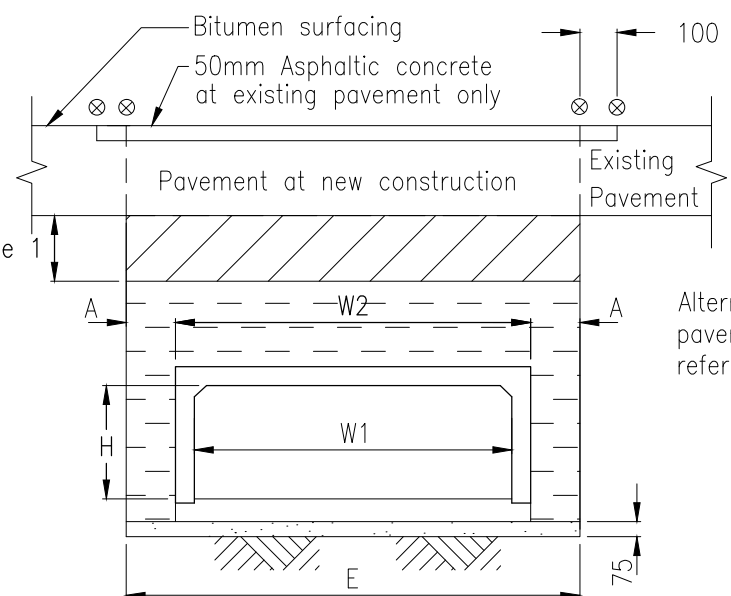
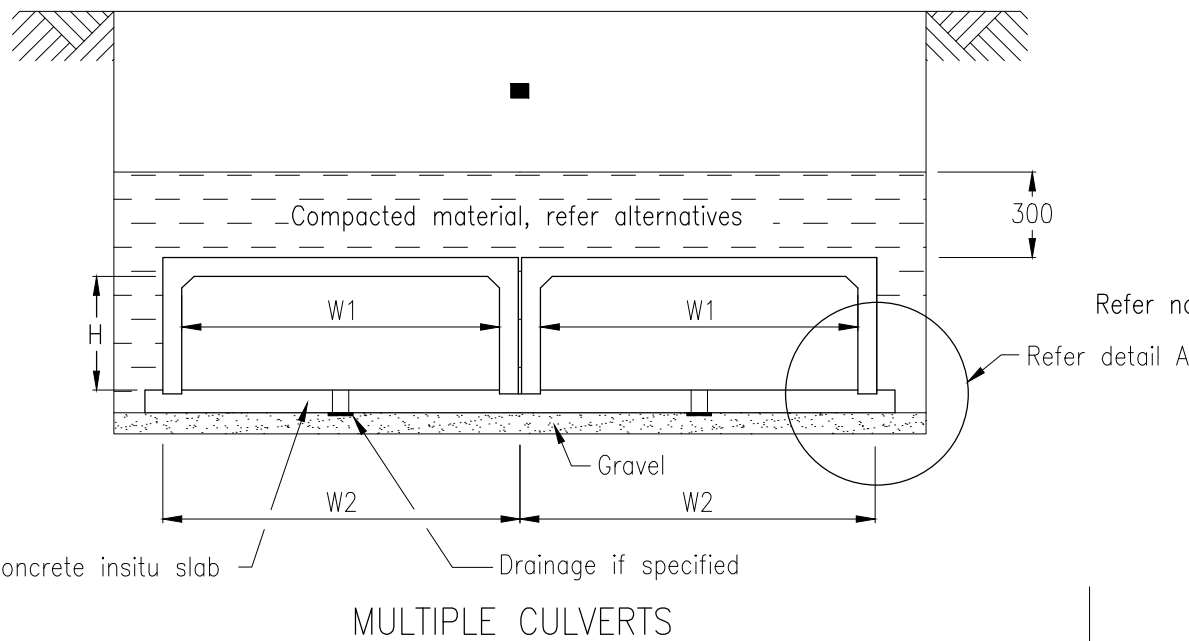
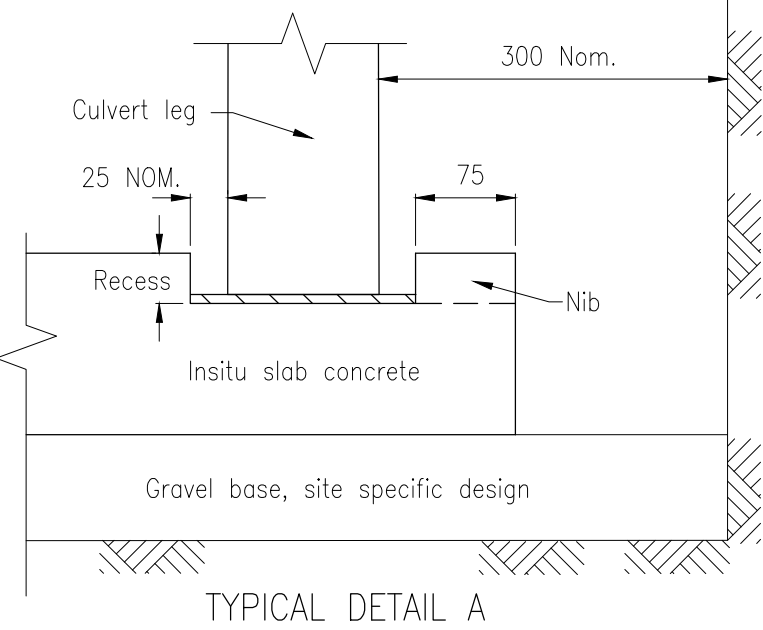


In-situ concrete bedding & drainage design to suit specific site conditions



W1	W2	E NOM.
300	420	1000
375	500	1100
450	570	1200
600	730	1300
750	890	1500
900	1050	1700
1200	1360	2000
1520	1700	2300
1820	2010	2600
2130	2340	3000
2440	2670	3300

EXCAVATION WIDTH



TYPICAL DETAIL A

ALTERNATIVE A
AT EXISTING SURFACED PAVEMENTS OR
AT NEW PAVEMENTS ON RESIDENTIAL
STREETS & RURAL ROADS

- NOTES:**
- Backfill compaction:
Approved fill/approved bedding/compacted backfill/CBR15 Gravel 90% Compacted gravel (300mm layer) under road pavement 95% Compacted fill - at footpaths/private property 90% MAX. densities determined by standard compaction tests to AS 1289.5.5.1.
 - Tape all joints with 75mm wide Denso (600) Tape or equivalent.
 - All dimensions in millimetres.

- LEGEND:**
- A 300mm NOMINAL
 - Refer Alternative A for backfill requirements at new pavements
 - ⊗ Saw cut at existing pavement
 - ▨ Gravel (MIN CBR15) or 75mm crusher run backfill
 - ▧ Lean mix concrete backfill (1:15 mix)
 - ▬ 10mm cement mortar bed, 1:3 mix

ALTERNATIVE B
AT EXISTING SURFACED PAVEMENTS
ON INDUSTRIAL, TRUNK COLLECTOR,
SUB-ARTERIALS & ARTERIAL STREETS/ROADS

APPLICABILITY TABLE							
Council	BSC	CHRC	GRC	IRC	LSC	MRC	RRC
Applicable	Yes	Yes	Yes	Yes	Yes	Yes	Yes

REVISIONS	DATE
D IRC ADDED	12/2016
C GRC AND LSC ADDED	09/2014
B MRC ADDED	04/2011
A POST AMALGAMATION REVIEW	01/2010

DISCLAIMER.
The authors and sponsoring organisations shall have no liability or responsibility to the user or any other person or entity with respect to any liability, loss or damage caused or alleged to be caused, directly or indirectly, by the adoption and use of these Standard Drawings including, but not limited to, any interruption of service, loss of business or anticipatory profits, of consequential damages resulting from the use of these Standard Drawings. Persons must not rely on these Standard Drawings as the equivalent of, or a substitute for, project-specific design and assessment by an appropriately qualified professional.

Capricorn Municipal Development Guidelines
Incorporating:
Banana Shire Council (BSC) Livingstone Shire Council (LSC)
Central Highlands Regional Council (CHRC) Maranoa Regional Council (MRC)
Gladstone Regional Council (GRC) Rockhampton Regional Council (RRC)
Isaac Regional Council (IRC)

EXCAVATION, BEDDING AND BACKFILLING
OF PRECAST BOX CULVERTS

DRAINAGE				
STANDARD DRAWING				
CMDG-D-011				
REV.	A	B	C	D